








PRECISION PARALLEL GRIPPERS

2-Jaw Parallel Grippers | Product Overview

Model	Stroke mm [in]	Grip Force N [lbs]	Operating Environment	Special Features	Page #
 2P	10-50 [0.39-1.97]	432-11,475 [97-2579]	IP 54	Spring assist. Double force tandem cylinder option. Large choice of configurable options.	3
 DGC	20-40 [0.79-1.57]	474-796 [106-179]	IP54 Using Purge Port	Rugged applications. Spring assist. DIRECTCONNECT	15
 GC	50-60 [1.968-2.362]	1481-2318 [333-521]	IP54 Using Scavenge Port	Rugged applications. Spring assist.	15
 DPL	40-140 [1.575-5.512]	618-2035 [138- 457]	IP54 Using Purge Port	Longest strokes in compact length. Long finger lengths. DIRECTCONNECT	23
 DPP	6.35-50.8 [0.25-2]	111-934 [25-210]	IP43 Using Purge Port. Clean Room Class 10,000 ISO 7 Using Scavenge Port	Highest precision, low pressure applications. Zero side play with Dual-V bearing design. DIRECTCONNECT	31
 RP-P	12.7-76.2 [0.5-3.0]	107-2224 [24-500]	IP33	Highest precision. Long finger lengths. Delicate parts handling.	37
 RPL	6.4 -25.4 [0.25-1.0]	116-160 [26-36]	IP33	Low pressure applications, zero side play, Excellent repeatability, long finger lengths. Delicate parts Handling.	45
 RPLC	6.4-25.4 [0.25-1.0]	116-160 [26-36]	IP64 Using Purge Port. Clean Room Class 10, ISO 4 Using Scavenge Port	Shielded for Clean or Harsh Environments. Low Pressure Applications, Zero Side Play. Excellent Repeatability	45



GR-PRC-1

Dimensions and technical information are subject to change without notice

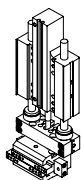
PRECISION PARALLEL GRIPPERS

2-Jaw Parallel Grippers | DIRECTCONNECT™ Modular Connectivity Chart

Modular DIRECTCONNECT Mounting Style Examples:

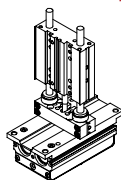
Products can be mounted in multiple positions. Refer to datasheet for complete info.

Slide to Gripper



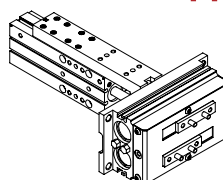
DLT Thruster Slide to DGC Parallel Gripper

Slide to Gripper



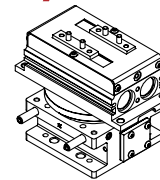
DLT Thruster Slide to DPL Parallel Gripper

Slide to Gripper



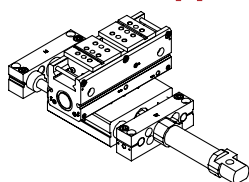
DLM Thruster Slide to DPL Parallel Gripper

Rotary to Gripper



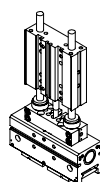
DRF Rotary Actuator to DPL Parallel Gripper

Slide to Gripper



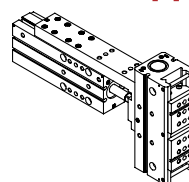
DLB Base Slide to DPP Parallel Gripper

Slide to Gripper



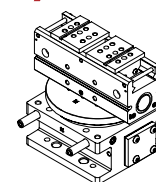
DLT Thruster Slide to DPP Parallel Gripper

Slide to Gripper



DLM Thruster Slide to DPP Parallel Gripper

Rotary to Gripper



DRF Rotary Actuator to DPP Parallel Gripper

DIRECTCONNECT™ Mounting Compatibility Chart

DESTACO's DIRECTCONNECT™ technology, allows all components of the system—grippers, rotaries and slides—to be mounted together directly. Look for matching icons on product datasheets for mounting compatibility.

Note: The numbers in the cell represent the metric screw size and basic mounting pattern.

S=Square, R=Rectangle. ie; 5S = M5 Screw with square mounting pattern.



5S

5R

Catalog Models		2 Jaw Precision Parallel Grippers					
		DGC	DPL-25XX	DPL-32XX, 40XX	DPP-10 & 14	DPP-20	DPP-28
Base Slides	DLB-06,08				3R		
	DLB-10,12,16	5R	5R			5R	5R
	DLB-20,25			10R			10R
Thruster Slides	DLT-06,08				3R		
	DLT-10,12,16	5R	5R		3R	5R	5R
	DLT-20,25	5R	5R	10R		5R	10R
	DLM-07				3R		
	DLM-9,12	5R	5R		3R	5R	5R
Rotary Actuators	DRF-075,094	5R	5R		3R	5R	5R
	DRF-106	5R	5R		3R	5R	5R
	DRF-131	5R	5R	10R		5R	10R

Dimensions and technical information are subject to change without notice

GR-PRC-2



2P OPTIONS & ACCESSORIES

2-Jaw Parallel Grippers | Dimensions and Technical Specifications

SUPPLY: (P) Pneumatic (H) (H80) Hydraulic

As standard, the clamp is supplied with air to a pressure of 7 bar. On request (contact us) the gripper can be supplied with hydraulic fluid. The clamp is fitted with seals Viton Quad-Ring.

- Choice (H) allows a hydraulic power to a pressure of 20 bar max. In this case the overall dimensions do not change. For better security the gripper must be fixed on their support before being fired.

CAUTION: Hydraulic cycle times are longer.

The hydraulic power is incompatible with the option tandem (M).

Option (RE) or (RI): Spring Assist

The internal springs of the gripper ensures grip force is maintained by retaining the component during pressure loss, to increase the gripforce, or allows the usage of the gripper in single acting operation.

Option (RE) for external gripping. Option (RI) for internal gripping.

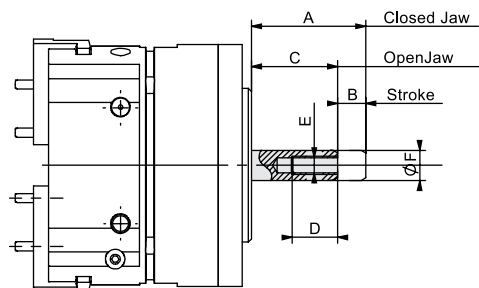
The (RE) is incompatible with the option (RI).

Option (T): Sensor Rod

Option (T) is a steel rod which comes out on the rear side of the gripper. The rod is fixed with the piston and has the same stroke movement. The open end of the rod allows for mounting a cam which allows to control the position of the jaws by using inductive sensors, micro switches, etc

WARNING: when screwing on cam rod, make sure the sensor rod does not rotate to prevent twisting of the springs of options (RE) or (RI).

Option (T) is incompatible with option (K).

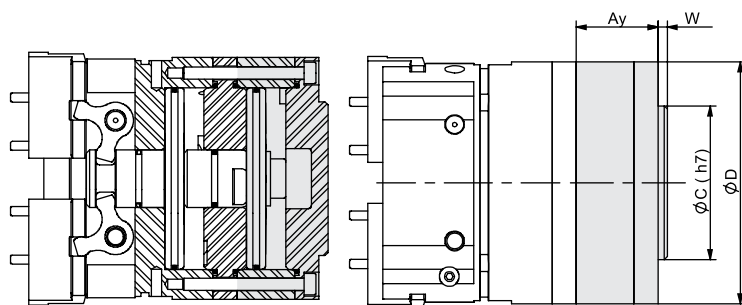


Model	A	B	C	D	E	F
6002P & 6002P-C	35	5	30	15	M6	10
8002P & 8002P-C	35	6.5	28.5	15	M6	10
11002P & 11002P-C	35	10	25	15	M6	15
14002P & 14002P-C	55	13	42	20	M8	15
16502P & 16502P-C	53	23	30	20	M8	15

Option (M): Tandem Cylinder

The (M) is a cylinder light-alloy that fits behind the bottom plate. This actuator's integral action allows to double the gripforce by using the same pressure. The combination of tandem option tandem (M) and Option (RE) or (RI) can double the clamping forces of the spring assist option. For cycle times of the tandem option, apply a factor of 3 to the actuation time.

The (M) is incompatible with the option (H).



Model	Ay	ØC	ØD	W	Weight (kg)
6002P & 6002P-C	28.5	38.1	60	3	0.200
8002P & 8002P-C	27	50.8	80	3	0.300
11002P & 11002P-C	34	76.2	110	3	0.750
14002P & 14002P-C	49	107.95	140	5	2.100
16502P & 16502P-C	65	127	165	6	3.600



GR-PRC-11

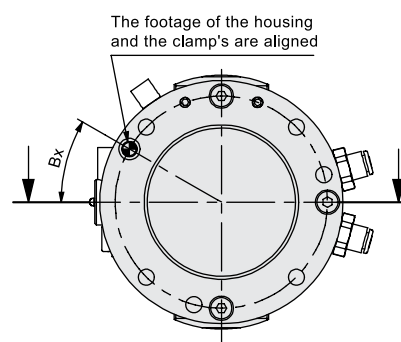
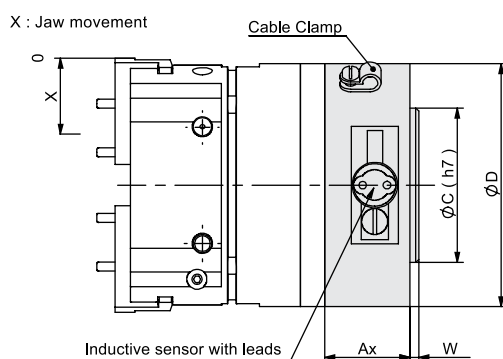
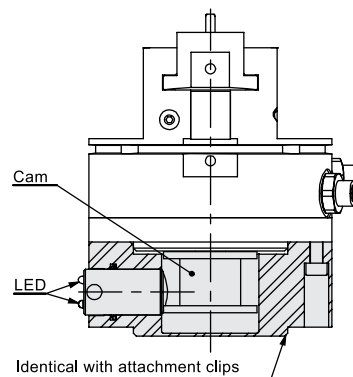
Dimensions and technical information are subject to change without notice

2P OPTIONS & ACCESSORIES

2-Jaw Parallel Grippers | Dimensions and Technical Specifications

Option (KT1), (KX1), (KT2), (KX2): Sensor Unit

The (K) is a lightweight alloy housing that fits on the back of the gripper. An integrated shaft follows the movement of the piston to provide information to the sensor attached to the side of the unit. It can control two positions of the grippers jaws. 2 types of inductive sensors (KT, KX) and 2 detection zones (1, 2) are possible to allow for the combination of 2 to 4 possible positions (KT1, KX1, KT2, KX2). For KT, KX sensor specifications.



Model	Ax	Bx	ØC	ØD	W	Weight (kg)	No. of Sensing Positions (please specify when ordering)	Information area from the open grip position (green LED) X (mm)	Area information relative to the closed grip position (yellow LED) X (mm)
6002P	23	30°	38.1	60	3	0.180	1	0 or 1 ^{+0,5} ₋₀	4 ^{+0,5} ₋₀ or 5
							2	0 or 2 ^{+0,5} ₋₀	3 ^{+0,5} ₋₀ or 5
6002P-C	23	30°	38.1	60	3	0.180	1	0 or 1.6 ^{+0,8} ₋₀	7 ^{+0,8} ₋₀ or 8
							2	0 or 3.2 ^{+0,8} ₋₀	4.8 ^{+0,8} ₋₀ or 8
8002P	28	30°	50.8	80	3	0.400	1	0 or 1 ^{+0,5} ₋₀	5.5 ^{+0,5} ₋₀ or 6,5
							2	0 or 2 ^{+0,5} ₋₀	4.5 ^{+0,5} ₋₀ or 6,5
8002P-C	28	30°	50.8	80	3	0.400	1	0 or 1.5 ^{+0,8} ₋₀	8.5 ^{+0,8} ₋₀ or 10
							2	0 or 3.1 ^{+0,8} ₋₀	6.9 ^{+0,8} ₋₀ or 10
11002P	36	30°	76.2	110	3	0.900	1	0 or 1 ^{+0,5} ₋₀	9 ^{+0,5} ₋₀ or 10
							2	0 or 3 ^{+0,5} ₋₀	7 ^{+0,5} ₋₀ or 10
11002P-C	36	30°	76.2	110	3	0.900	1	0 or 1.5 ^{+0,8} ₋₀	13.5 ^{+0,8} ₋₀ or 15
							2	0 or 4.5 ^{+0,8} ₋₀	10.5 ^{+0,8} ₋₀ or 15
14002P	45.5	165°	107.95	140	5	1.670	1	0 or 2 ^{+0,5} ₋₀	11 ^{+0,5} ₋₀ or 13
							2	0 or 4 ^{+0,5} ₋₀	9 ^{+0,5} ₋₀ or 13
14002P-C	45.5	165°	107.95	140	5	1.670	1	0 or 3 ^{+0,8} ₋₀	17 ^{+0,8} ₋₀ or 20
							2	0 or 6.2 ^{+0,8} ₋₀	13.8 ^{+0,8} ₋₀ or 20
16002P	65.5	165°	127	165	6	2.670	1	0 or 2 ^{+0,5} ₋₀	13 ^{+0,5} ₋₀ or 15
							2	0 or 4 ^{+0,5} ₋₀	11 ^{+0,5} ₋₀ or 15
16002P-C	65.5	165°	127	165	6	2.670	1	0 or 3.3 ^{+0,8} ₋₀	21.7 ^{+0,8} ₋₀ or 25
							2	0 or 7 ^{+0,8} ₋₀	18 ^{+0,8} ₋₀ or 25

Dimensions and technical information are subject to change without notice

GR-PRC-12



2P OPTIONS & ACCESSORIES

2-Jaw Parallel Grippers | Dimensions and Technical Specifications

Option (V): Viton® Seals

Gripper with Viton® seals allows for use in high temperature environments [-30 ° C or 150 ° C].

Accessory (E): Protective Boot

The accessory (E) is a protective boot that fits over the gripper. It protects the mechanism and thus improves the life of the gripper in hostile environments. The accessory (E) causes a different location of the fingers on the jaws as compared to the standard installation. Before attaching the boot, perform the following steps:

1. Mount gripper to machine.
2. Slip boot over gripper and secure in place.
3. Attached fingers to jaws using finger adapter.

Depending on the environment 2 types of envelopes are available:

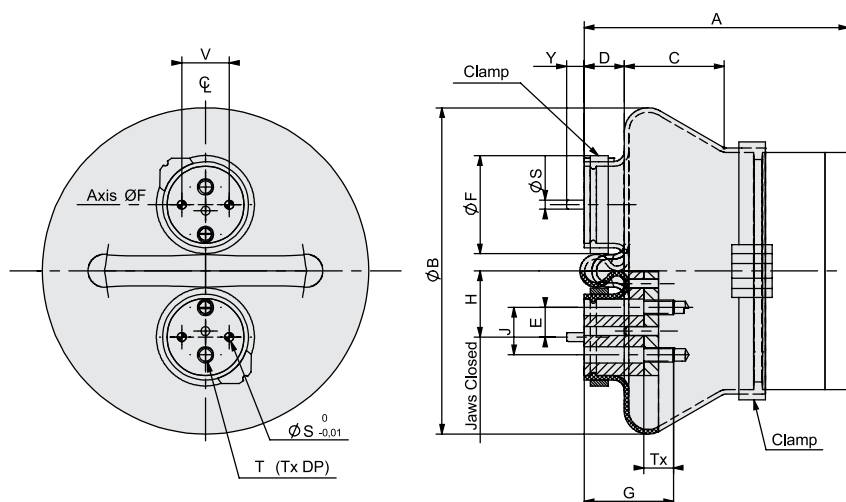
(E) Envelope of black or brown PVC for environmental grinding with emery presence.

(E3) red envelope containing KEVLAR fireproof silicone environment for hot chips and weld spatter.

The accessory (E) is incompatible with the accessory (SD)

Model Code	Order #	Model	A	B	C	D	E	F	G	H	J	K	S	T	TX	V	Y
E	ER62P	6002P & 6002P-C	88	98	35	13.5	8	29	29	17.5	13	-	3	M4	9	13	6
E3	E3R62P																
E	ER82P	8002P & 8002P-C	89	110	34	13.5	10	33	30	22.3	16	-	3	M5	10	16	6
E3	E3R82P																
E	ER112P	11002P & 11002P-C	See Drawing														
E3	E3R112P																
E	KP-311	14002P & 14002P-C	143	185	50	18	12	55	34	19.5	24	18	5	M8	14	-	8
E3	KP-313																
E	KP-314	16002P & 16002P-C	172	220	70	16	14	67	37	24 19	28	23	6	M10	19	-	8
E3	KP-316																

6002P & 8002P



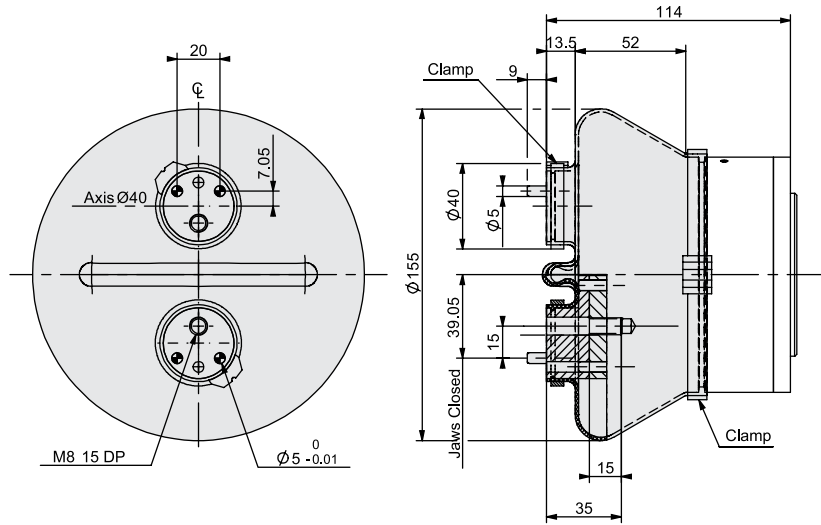
GR-PRC-13

Dimensions and technical information are subject to change without notice

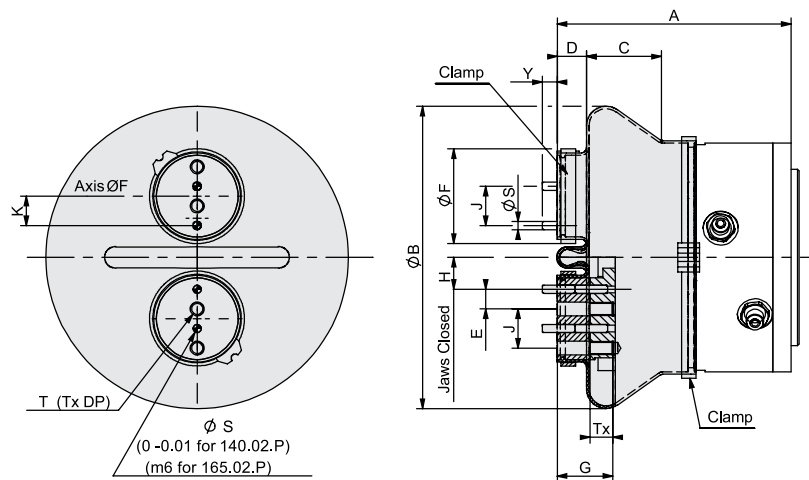
2P OPTIONS & ACCESSORIES

2-Jaw Parallel Grippers | Dimensions and Technical Specifications

11002P



14002P & 16502P



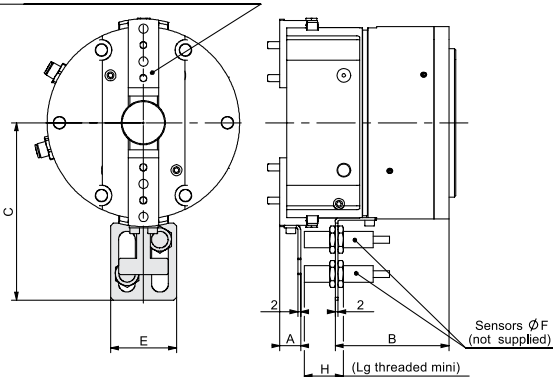
Accessory (SD): Inductive Sensor Mounting Kit

Allows for sensing of two positions: open and closed jaw. The accessory kit (SD) includes: 1 sensor bracket, 1 flag and screws. **Sensors are not provided.**

NOTES: To be usable, the cylindrical inductive sensors selected by the customer must have tapped their bodies to a minimum depth H (see table below).

Depending on their length, the cylindrical inductive sensors can extend below the clamp, requiring provision of suitable housing in the surrounding parts. It is possible to control more than 2 positions using a second attachment (SD).

Ability to adapt a second set of sensors on this jaw



Order #	Model	A	B	C	E	F	H
SD60-80P	6002P & 6002P-C	20	35	67	32	8	35
SD60-80P	8002P & 8002P-C	19	34	77	32	8	35
SD110P	11002P & 11002P-C	19.5	45	97	32	8	35
OSMK-114	14002P & 14002P-C	15	83	129	48	12	28.5
OSMK-115	16502P & 16502P-C	29	96	147	48	12	33

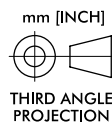
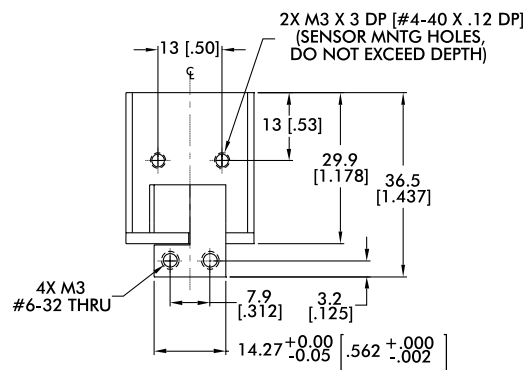
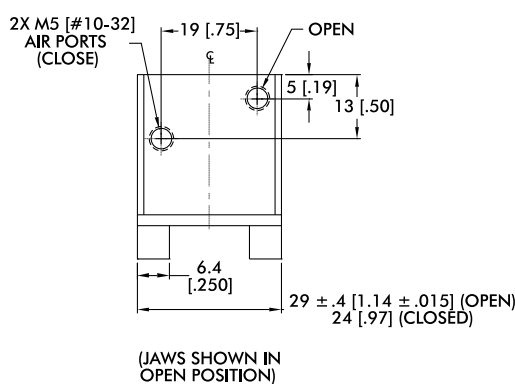
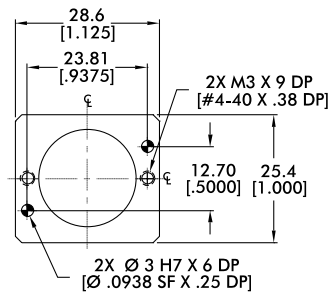
Dimensions and technical information are subject to change without notice

GR-PRC-14



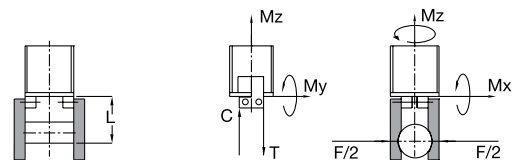
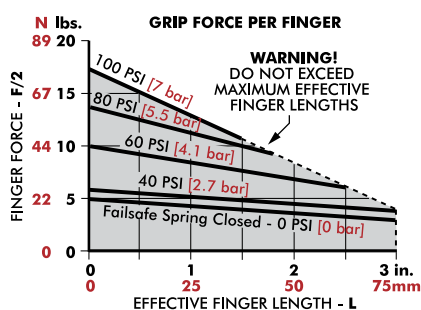
RP-5

2-Jaw Parallel Grippers | Dimensions and Technical Specifications



Seal Repair Kits	RP-5
Buna-N Seal Repair Kit	SLKT-152
Viton® Seal Repair Kit	SLKT-152V

Loading Information



RP-5	Static	Dynamic
Maximum Tensile T	222 N [50 lbs]	31 N [7 lbs]
Maximum Compressive C	334 N [75 lbs]	53 N [12 lbs]
Maximum Moment M_x	3.4 Nm [30 in-lbs]	0.6 Nm [5 in-lbs]
Maximum Moment M_y	3.4 Nm [30 in-lbs]	0.6 Nm [5 in-lbs]
Maximum Moment M_z	3.4 Nm [30 in-lbs]	0.6 Nm [5 in-lbs]

*Capacities are per set of jaws and are not simultaneous

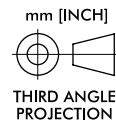
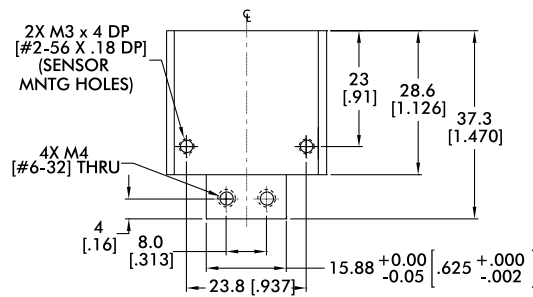
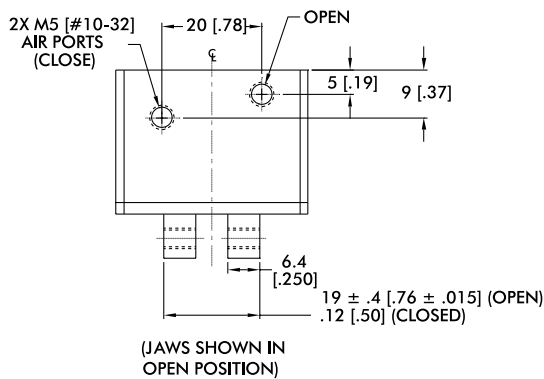
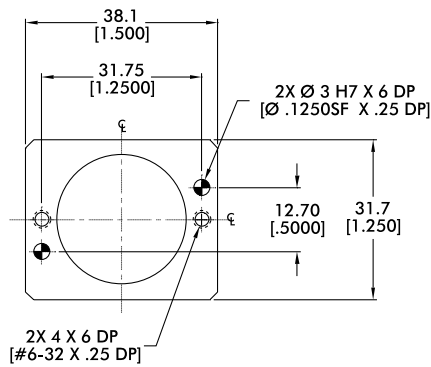


GR-GEN-49

Dimensions and technical information are subject to change without notice



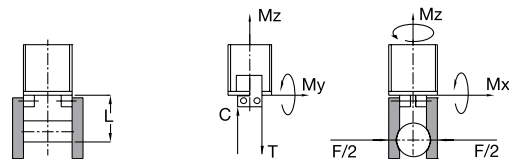
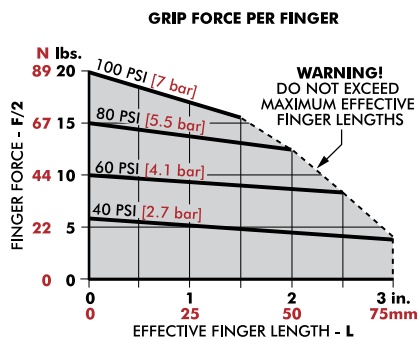
2-Jaw Parallel Grippers | Dimensions and Technical Specifications



THIRD ANGLE PROJECTION

Seal Repair Kits	RP-10
Buna-N Seal Repair Kit	SLKT-136
Viton® Seal Repair Kit	SLKT-136V

Loading Information



RP-10	Static	Dynamic
Maximum Tensile T	445 N [100 lbs]	67 N [15 lbs]
Maximum Compressive C	667 N [150 lbs]	111 N [25 lbs]
Maximum Moment M_x	10.2 Nm [90 in-lbs]	1.5 Nm [15 in-lbs]
Maximum Moment M_y	10.2 Nm [90 in-lbs]	1.5 Nm [15 in-lbs]
Maximum Moment M_x	10.2 Nm [90 in-lbs]	1.5 Nm [15 in-lbs]

*Capacities are per set of jaws and are not simultaneous

Dimensions and technical information are subject to change without notice

GR-GEN-50



2P SERIES

2-Jaw Precision Parallel Grippers | Features and Benefits | How To Order

Features:

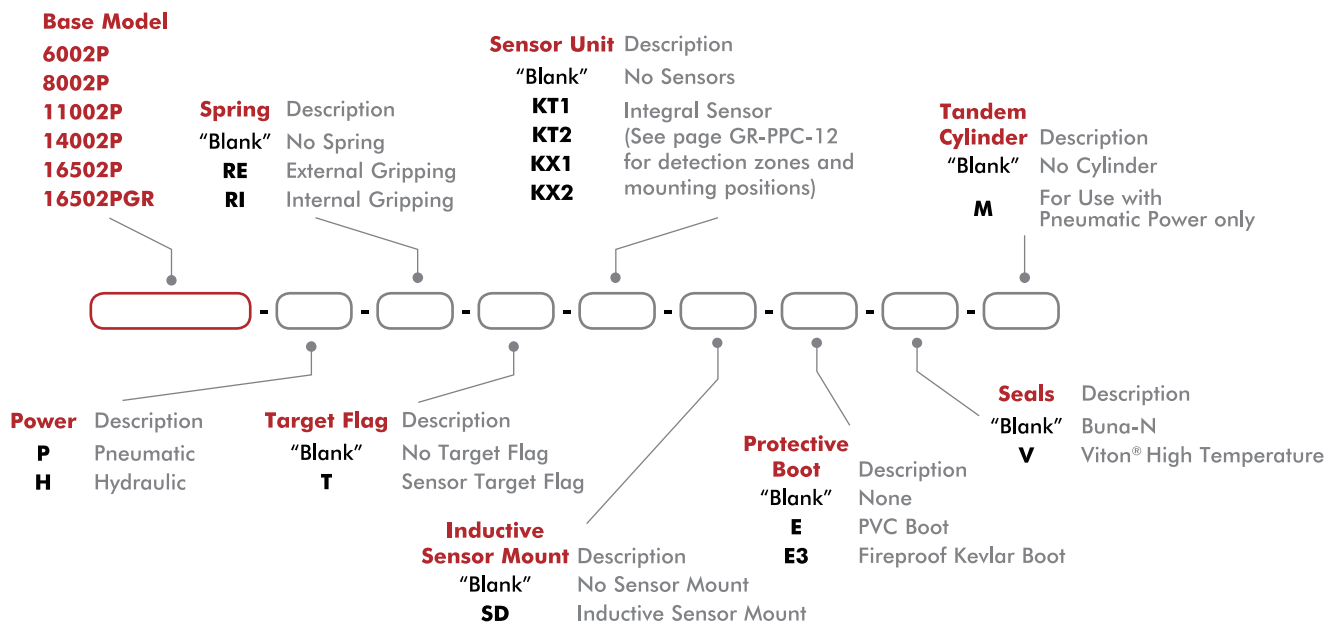
- Robust and powerful precision multi-purpose gripper
- Pneumatic or hydraulic powered operation
- Optional tandem cylinder doubles grip force
- Protective boot and shielded design for harsh environments
- Spring assist option maintains grip in case of air pressure loss

Applications:

- Hydraulic powered gripping applications
- Confined spaces in harsh environment applications
- Welding applications with protective boot option



How To Order



Accessories

Sensor Accessories	Model Numbers	Part Number	Qty/Unit
M8 Inductive Sensor PNP with M8 Connector	6002P, 8002P, 11002P	OISP-011-C	1-4
M8 Inductive Sensor NPN with M8 Connector	6002P, 8002P, 11002P	OISN-011-C	1-4
M8 Inductive Sensor PNP with M12 Connector	14002P, 16502P	OISP-017-C	1-4
M8 Inductive Sensor NPN with M12 Connector	14002P, 16502P	OISN-017-C	1-4
M8 Quick Disconnect 2 Meter Cable Length*	6002P, 8002P, 11002P	CABL-010	1-4
M12 Quick Disconnect 2 Meter Cable Length*	14002P, 16502P	CABL-014	1-4
Inductive Sensor Kit (1 holder + 1 flag)	6002P, 8002P	SD60-80P	1-2
Inductive Sensor Kit (1 holder + 1 flag)	11002P	SD110P	1-2
Inductive Sensor Kit (1 holder + 1 flag)	14002P	OSMK-114	1-2
Inductive Sensor Kit (1 holder + 1 flag)	16502P	OSMK-115	1-2

* Sensor and cable sold separately.



GR-PRC-3

Dimensions and technical information are subject to change without notice

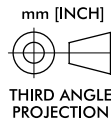
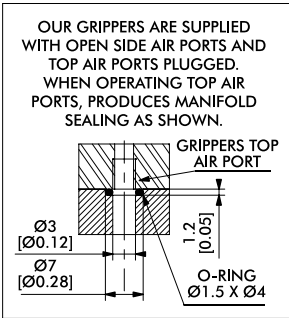
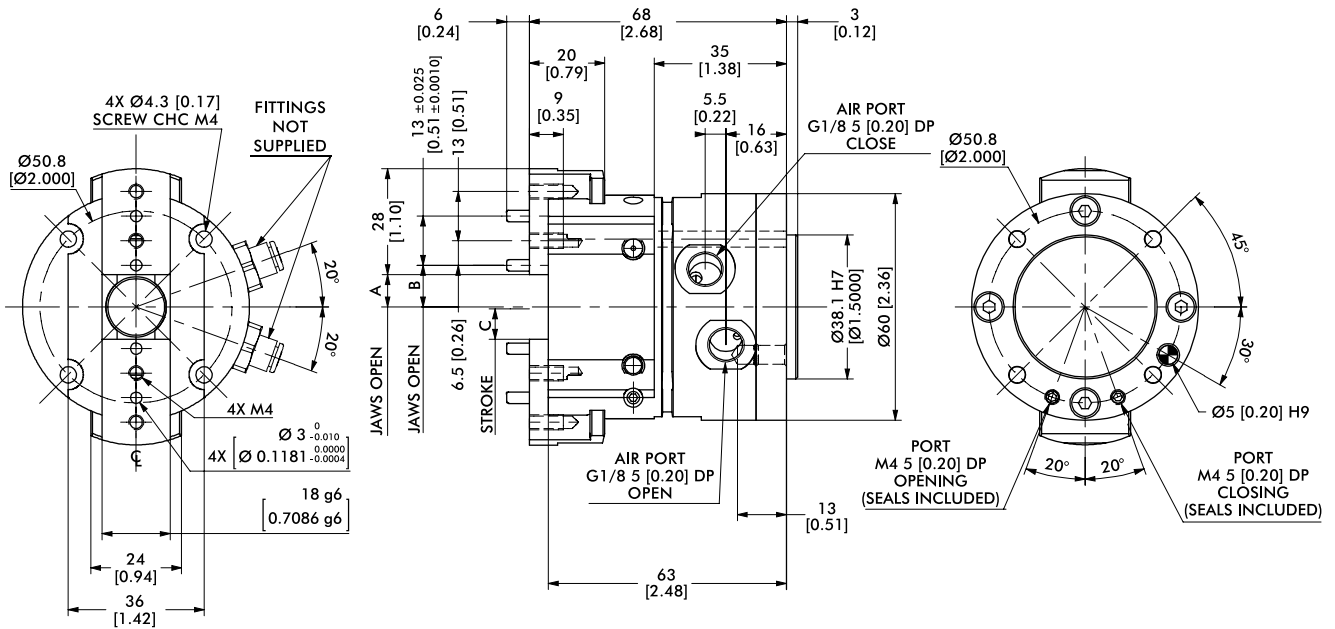
2P SERIES**2-Jaw Precision Parallel Grippers | Technical Specifications**

Specifications	Units	6002P	6002P-C	8002P	8002P-C	11002P	11002P-C
Grip Force (F6+R)1, 6 bar [87 psi], Springs Mid-Way, L=0	N [lb]	694 [156]	432 [97]	1946 [437]	1256 [282]	3043 [684]	2030 [456]
Grip Force (F0+R)2, 0 bars, Springs Mid-Way, L=0	N [lb]	176 [40]	109 [24]	635 [143]	410 [92]	965 [217]	644 [145]
Total Stroke	mm [in]	10 [0.39]	16 [0.63]	13 [0.51]	20 [0.79]	20 [0.79]	30 [1.18]
Weight	kg [lbs]	0.51 [1.12]		0.84 [1.85]		2.04 [4.50]	
Pressure Range w/o Spring	bar [psi]	2-7 [30-100]					
Pressure Range with Spring	bar [psi]	4-7 [60-100]					
Ingress Protection Class (IP)		IP54					
Displacement	cm ³ [in ³]	12 [0.73]		35 [2.14]		87 [5.31]	
Temperature Range (Buna-N seals)	°C [°F]	-35°~80° [-30°~180°]					
Temperature Range (Viton® seals)	°C [°F]	-30°~150° [-20°~300°]					
Actuation (open/close)	sec	0.07		0.08		0.10	
Repeatability	mm [in]	±0.02 [±0.001]					

Specifications	Units	14502P	14502P-C	16502P	16502P-C	1650PGR
Grip Force (F6+R)1, 6 bar [87 psi], Springs Mid-Way, L=0	N [lb]	6232 [1400]	4031 [906]	11475 [2579]	6878 [1546]	11475 [2579]
Grip Force (F0+R)2, 0 bars, Springs Mid-Way, L=0	N [lb]	2305 [518]	1490 [335]	3825 [860]	2292 [515]	3825 [860]
Total Stroke	mm [in]	26 [1.02]	40 [1.57]	30 [1.18]	50 [1.97]	30 [0.39]
Weight	kg [lbs]	4.2 [9.26]		8.74 [19.26]		2.04 [4.50]
Pressure Range w/o Spring	bar [psi]	2-7 Bar [30-100 psi]				
Pressure Range with Spring	bar [psi]	4-7 Bar [60-100 psi]				
Ingress Protection Class (IP)		IP54				
Displacement	cm ³ [in ³]	220 [13.43]		494 [30.15]		494 [30.15]
Temperature Range (Buna-N seals)	°C [°F]	-35°~80° [-30°~180°]				
Temperature Range (Viton® seals)	°C [°F]	-30°~150° [-20°~300°]				
Actuation (open/close)	sec	0.16		0.29		0.29
Repeatability		±0.02 [±0.001]				

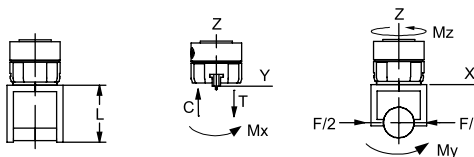
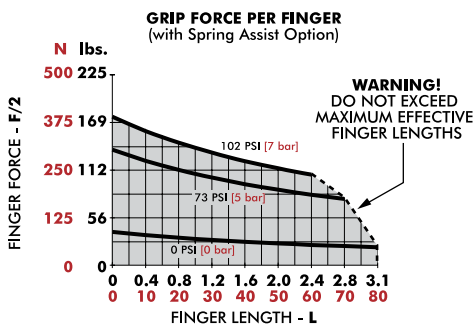
6002P, 6002P-C

2-Jaw Precision Parallel Grippers | Dimensions and Technical Specifications



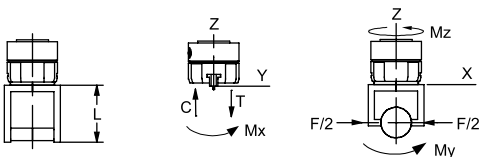
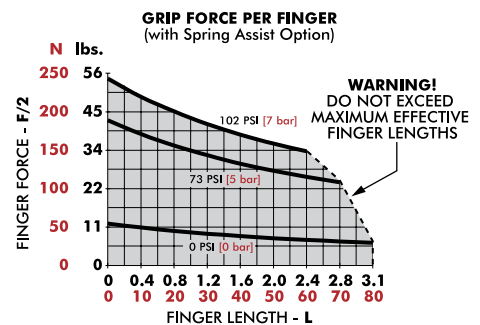
Protective Boots	6002P
PVC Protective Boot, Brown or Black	ER62P
Fireproof KEVLAR Protective Boot, Red	E3R62P
Seal Repair Kits	6002P
Buna-N Seal Repair Kit	SLKT-156
Viton® Seal Repair Kit	SLKT-156V
Hydraulic Seal Repair Kit	SLKT-330

Loading Information



6002P	Static	Dynamic
Maximum Tensile T	410 N [92 lbs]	95 N [21 lbs]
Maximum Compressive C	780 N [175 lbs]	95 N [21 lbs]
Maximum Moment M_x	21 Nm [186 in-lbs]	3 Nm [27 in-lbs]
Maximum Moment M_y	16 Nm [142 in-lbs]	3 Nm [27 in-lbs]
Maximum Moment M_x	[239 in-lbs] 27 Nm	3 Nm [27 in-lbs]

*Capacities are per set of jaws and are not simultaneous



6002P-C	Static	Dynamic
Maximum Tensile T	546 N [123 lbs]	140 N [31 lbs]
Maximum Compressive C	1037 N [233 lbs]	140 N [31 lbs]
Maximum Moment M_x	28 Nm [248 in-lbs]	4 Nm [35 in-lbs]
Maximum Moment M_y	22 Nm [195 in-lbs]	4 Nm [35 in-lbs]
Maximum Moment M_x	36 Nm [319 in-lbs]	4 Nm [35 in-lbs]

*Capacities are per set of jaws and are not simultaneous

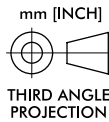
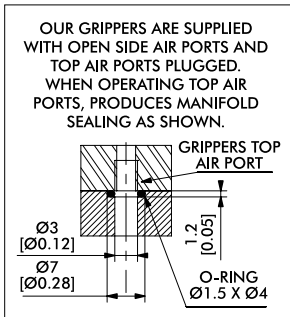
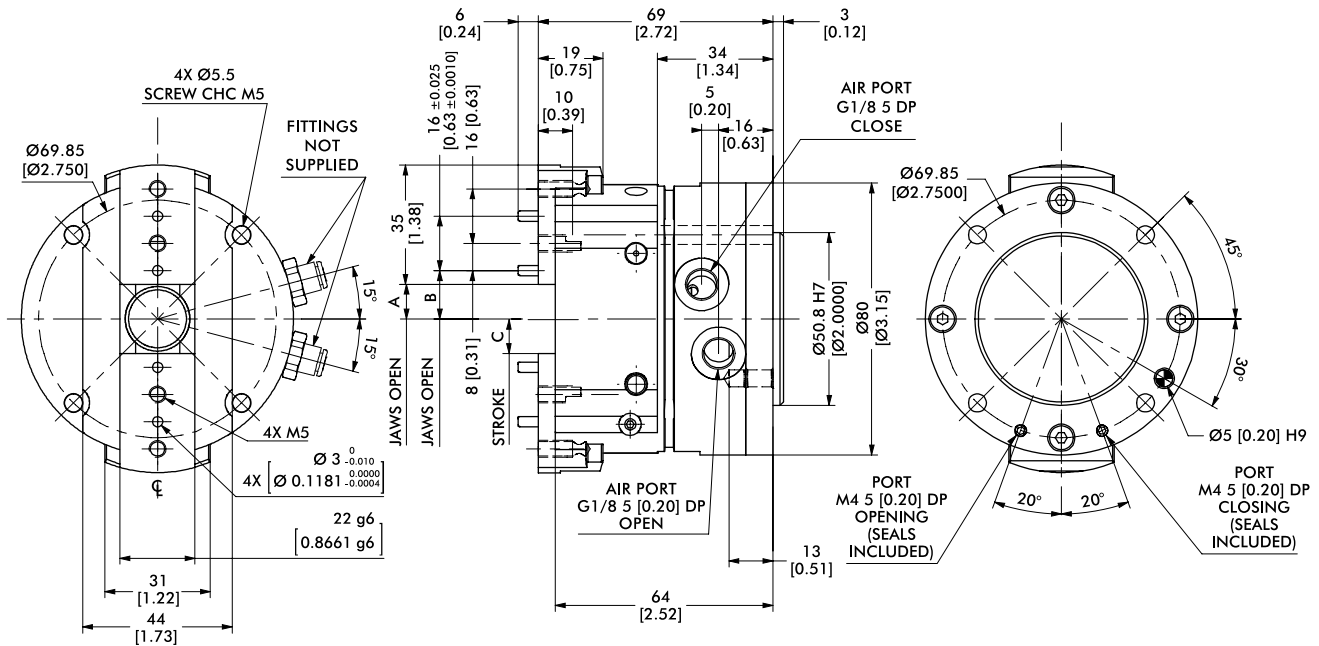


GR-PRC-5

Dimensions and technical information are subject to change without notice

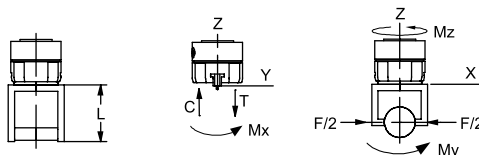
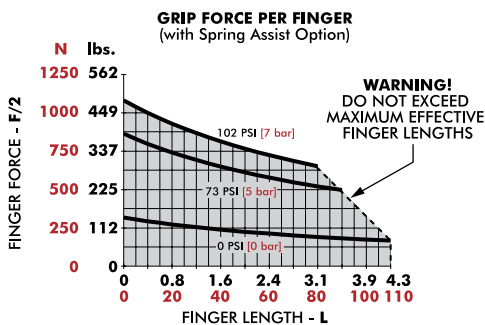
8002P, 8002P-C

2-Jaw Precision Parallel Grippers | Dimensions and Technical Specifications



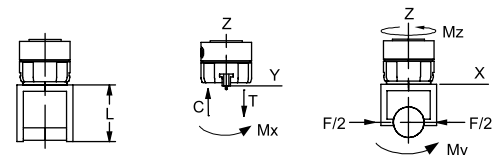
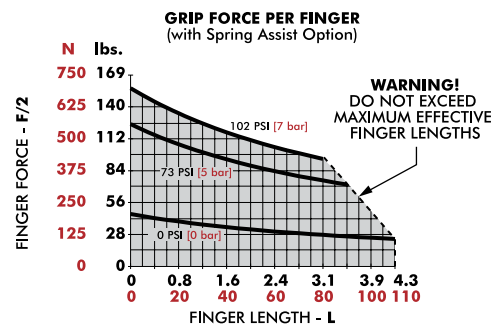
Protective Boots	8002P
PVC Protective Boot, Brown or Black	ER82P
Fireproof KEVLAR Protective Boot, Red	E3R82P
Seal Repair Kits	8002P
Buna-N Seal Repair Kit	S80
Viton® Seal Repair Kit	S80V
Hydraulic Seal Repair Kit	S80H

Loading Information



8002P	Static	Dynamic
Maximum Tensile T	819 N [184 lbs]	348 N [78 lbs]
Maximum Compressive C	1383 N [311 lbs]	348 N [78 lbs]
Maximum Moment M_x	40 Nm [354 in-lbs]	13 Nm [115 in-lbs]
Maximum Moment M_y	45 Nm [398 in-lbs]	15 Nm [133 in-lbs]
Maximum Moment M_z	25 Nm [221 in-lbs]	15 Nm [133 in-lbs]

*Capacities are per set of jaws and are not simultaneous



8002P-C	Static	Dynamic
Maximum Tensile T	615 N [138 lbs]	236 N [53 lbs]
Maximum Compressive C	1040 N [234 lbs]	236 N [53 lbs]
Maximum Moment M_x	30 Nm [266 in-lbs]	9 Nm [80 in-lbs]
Maximum Moment M_y	33 Nm [292 in-lbs]	10 Nm [89 in-lbs]
Maximum Moment M_z	18 Nm [159 in-lbs]	10 Nm [89 in-lbs]

*Capacities are per set of jaws and are not simultaneous

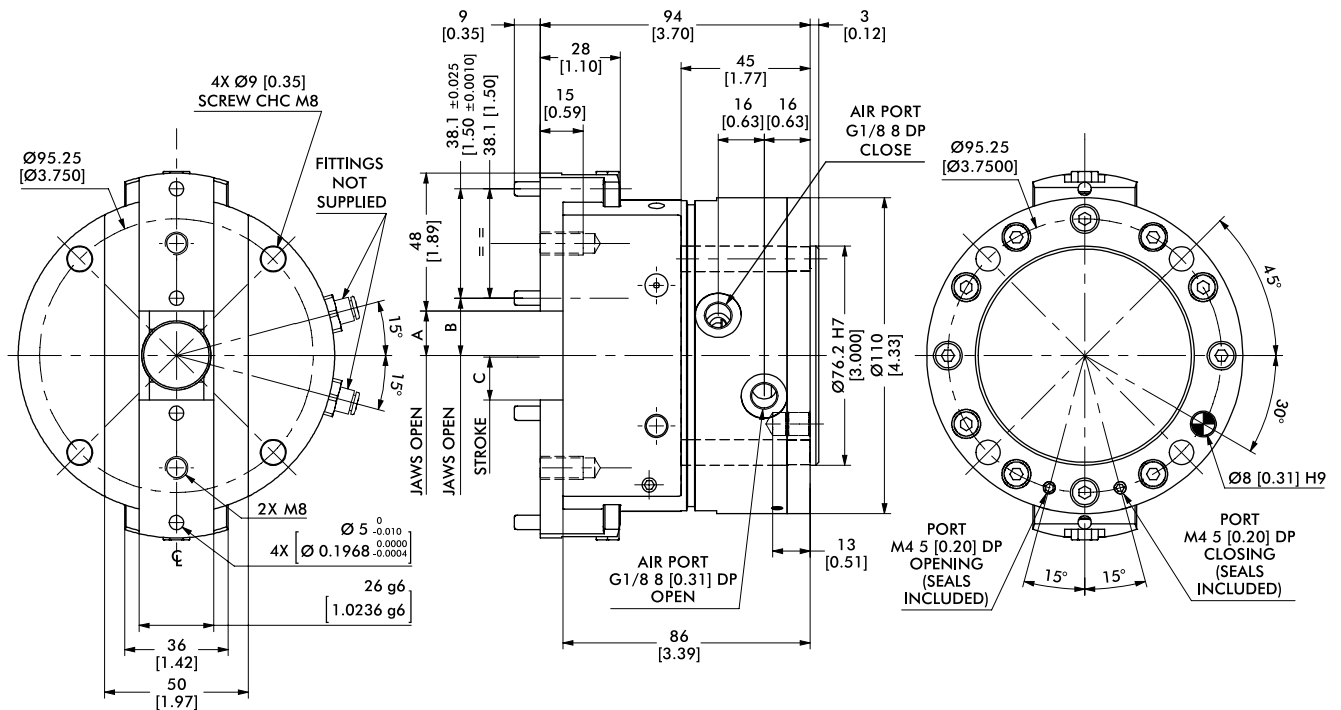
Dimensions and technical information are subject to change without notice

GR-PRC-6



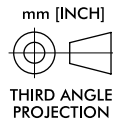
11002P, 11002P-C

2-Jaw Precision Parallel Grippers | Dimensions and Technical Specifications



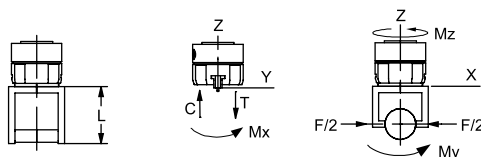
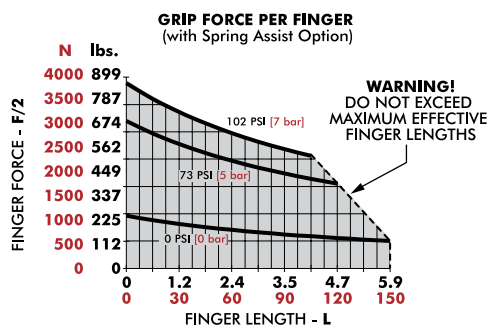
OUR GRIPPERS ARE SUPPLIED WITH OPEN SIDE AIR PORTS AND TOP AIR PORTS PLUGGED. WHEN OPERATING TOP AIR PORTS, PRODUCES MANIFOLD SEALING AS SHOWN.

GRIPPERS TOP AIR PORT
O-RING Ø1.5 X Ø5



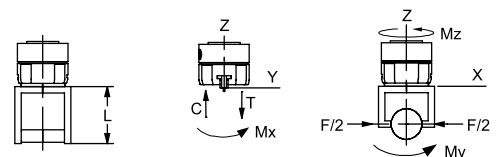
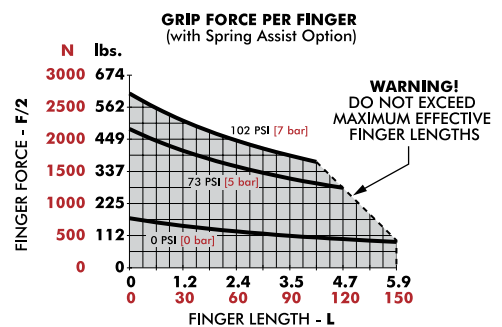
Protective Boots		11002P
PVC Protective Boot, Brown or Black		ER112P
Fireproof KEVLAR Protective Boot, Red		E3R112P
Seal Repair Kits		11002P
Buna-N Seal Repair Kit		S110
Viton® Seal Repair Kit		S110V
Hydraulic Seal Repair Kit		S110H

Loading Information



11002P	Static	Dynamic
Maximum Tensile T	1040 N [234 lbs]	556 N [125 lbs]
Maximum Compressive C	1768 N [397 lbs]	556 N [125 lbs]
Maximum Moment M_x	39 Nm [345 in-lbs]	25 Nm [221 in-lbs]
Maximum Moment M_y	53 Nm [469 in-lbs]	33 Nm [292 in-lbs]
Maximum Moment M_z	63 Nm [558 in-lbs]	33 Nm [292 in-lbs]

*Capacities are per set of jaws and are not simultaneous



11002P-C	Static	Dynamic
Maximum Tensile T	945 N [212 lbs]	370 N [83 lbs]
Maximum Compressive C	1607 N [361 lbs]	370 N [83 lbs]
Maximum Moment M_x	35 Nm [310 in-lbs]	18 Nm [159 in-lbs]
Maximum Moment M_y	47 Nm [416 in-lbs]	24 Nm [212 in-lbs]
Maximum Moment M_z	56 Nm [496 in-lbs]	24 Nm [212 in-lbs]

*Capacities are per set of jaws and are not simultaneous

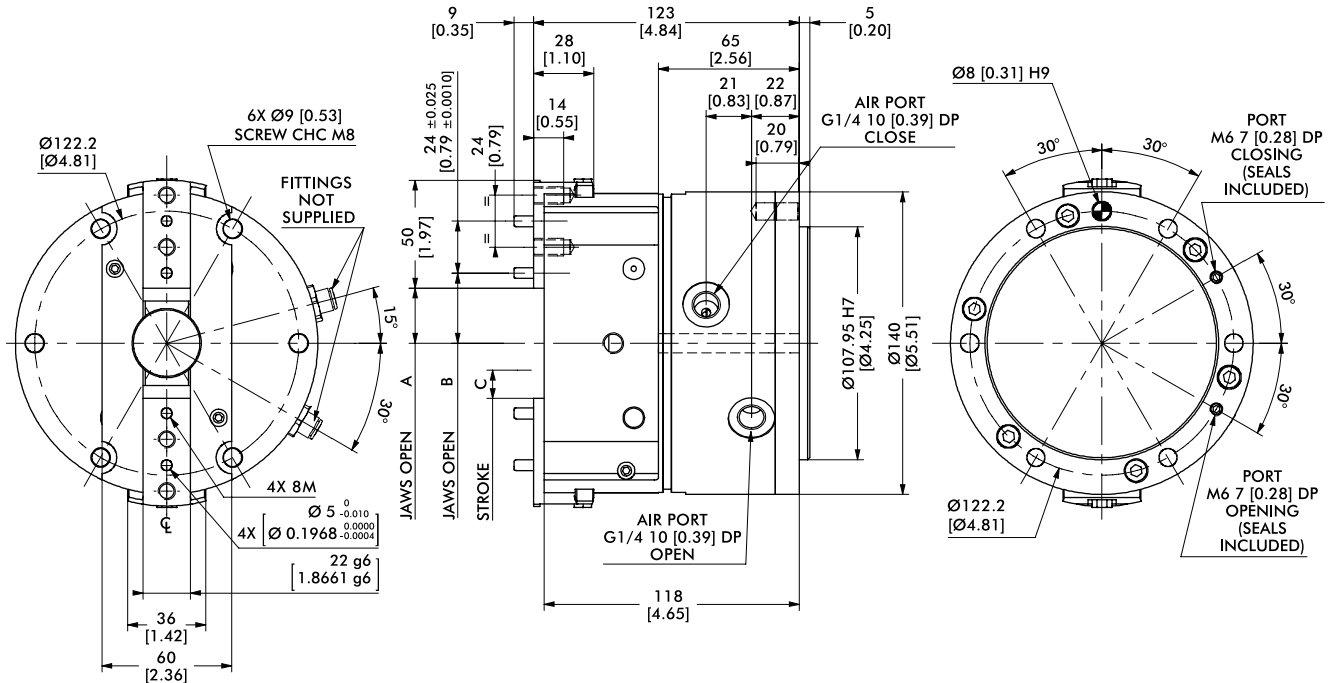


GR-PRC-7

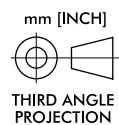
Dimensions and technical information are subject to change without notice

14002P, 14002P-C

2-Jaw Precision Parallel Grippers | Dimensions and Technical Specifications

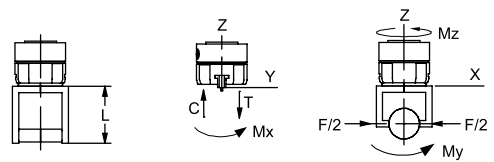
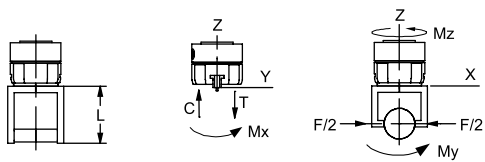
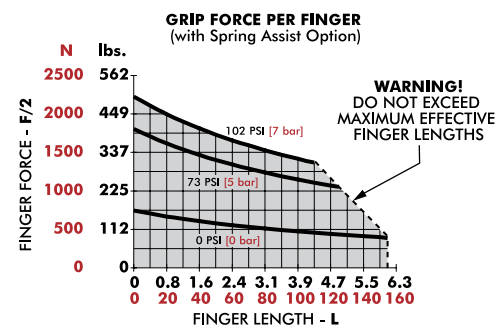
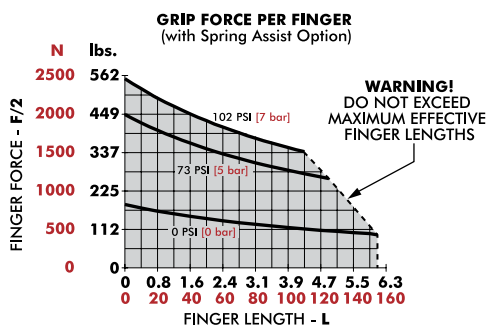


OUR GRIPPERS ARE SUPPLIED WITH OPEN SIDE AIR PORTS AND TOP AIR PORTS PLUGGED. WHEN OPERATING TOP AIR PORTS, PRODUCES MANIFOLD SEALING AS SHOWN.



Protective Boots		14002P
PVC Protective Boot, Brown or Black		KP-311
Fireproof KEVLAR Protective Boot, Red		KP-313
Seal Repair Kits		14002P
Buna-N Seal Repair Kit		SLKT-333
Viton® Seal Repair Kit		SLKT-333V
Hydraulic Seal Repair Kit		SLKT-334

Loading Information



14002P	Static	Dynamic
Maximum Tensile T	1600 N [360 lbs]	550 N [124 lbs]
Maximum Compressive C	1820 N [409 lbs]	550 N [124 lbs]
Maximum Moment M_x	55 Nm [487 in-lbs]	18 Nm [159 in-lbs]
Maximum Moment M_y	90 Nm [797 in-lbs]	30 Nm [266 in-lbs]
Maximum Moment M_z	90 Nm [797 in-lbs]	30 Nm [266 in-lbs]

†Capacities are per set of jaws and are not simultaneous

14002P-C	Static	Dynamic
Maximum Tensile T	1450 N [326 lbs]	400 N [90 lbs]
Maximum Compressive C	1450 N [326 lbs]	400 N [90 lbs]
Maximum Moment M_x	50 Nm [443 in-lbs]	15 Nm [133 in-lbs]
Maximum Moment M_y	75 Nm [664 in-lbs]	25 Nm [221 in-lbs]
Maximum Moment M_z	75 Nm [664 in-lbs]	25 Nm [221 in-lbs]

†Capacities are per set of jaws and are not simultaneous

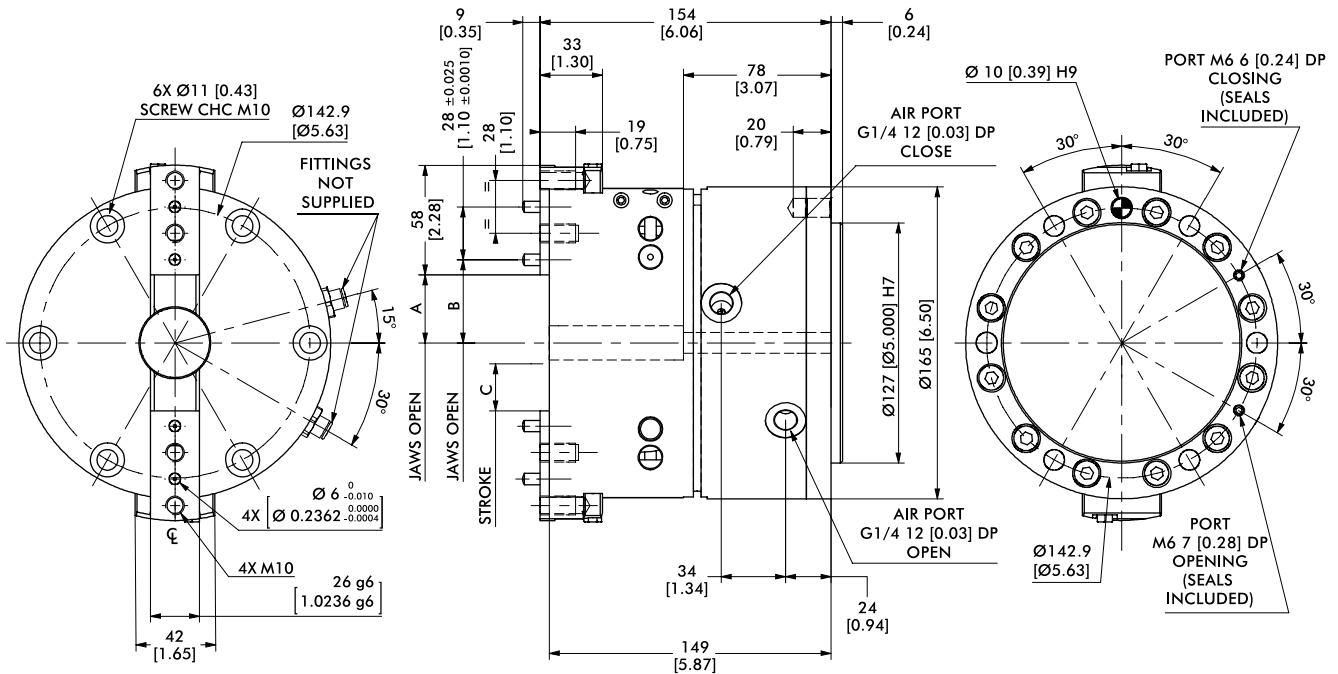
Dimensions and technical information are subject to change without notice

GR-PRC-8

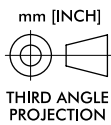


16502P, 16502P-C

2-Jaw Precision Parallel Grippers | Dimensions and Technical Specifications

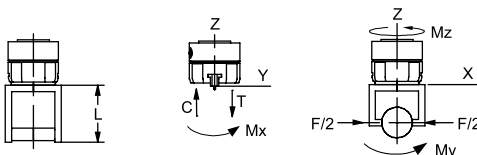
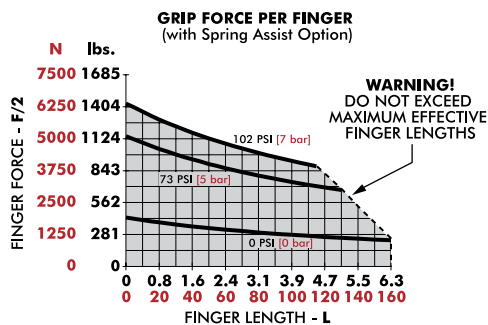


OUR GRIPPERS ARE SUPPLIED WITH OPEN SIDE AIR PORTS AND TOP AIR PORTS PLUGGED. WHEN OPERATING TOP AIR PORTS, PRODUCES MANIFOLD SEALING AS SHOWN.



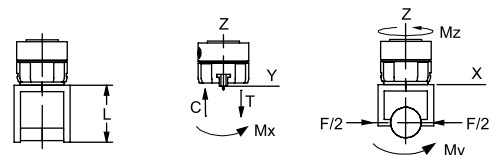
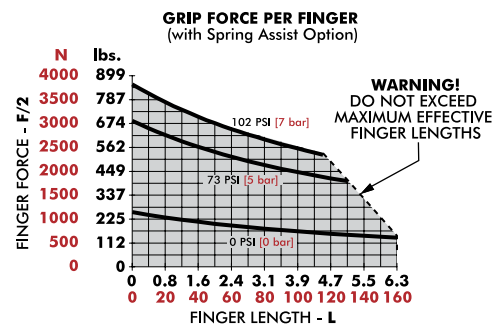
Protective Boots	16502P
PVC Protective Boot, Brown or Black	KP-314
Fireproof KEVLAR Protective Boot, Red	KP-316
Seal Repair Kits	16502P
Buna-N Seal Repair Kit	SLKT-335
Viton® Seal Repair Kit	SLKT-335V
Hydraulic Seal Repair Kit	SLKT-336

Loading Information



16502P	Static	Dynamic
Maximum Tensile T	1720 N [387 lbs]	650 N [146 lbs]
Maximum Compressive C	2160 N [485 lbs]	650 N [146 lbs]
Maximum Moment M_x	70 Nm [620 in-lbs]	17 Nm [150 in-lbs]
Maximum Moment M_y	100 Nm [885 in-lbs]	30 Nm [266 in-lbs]
Maximum Moment M_x	100 Nm [885 in-lbs]	30 Nm [266 in-lbs]

†Capacities are per set of jaws and are not simultaneous



16502P-C	Static	Dynamic
Maximum Tensile T	1550 N [348 lbs]	580 N [130 lbs]
Maximum Compressive C	1950 N [438 lbs]	580 N [130 lbs]
Maximum Moment M_x	60 Nm [531 in-lbs]	20 Nm [177 in-lbs]
Maximum Moment M_y	80 Nm [708 in-lbs]	25 Nm [221 in-lbs]
Maximum Moment M_x	90 Nm [797 in-lbs]	25 Nm [221 in-lbs]

†Capacities are per set of jaws and are not simultaneous

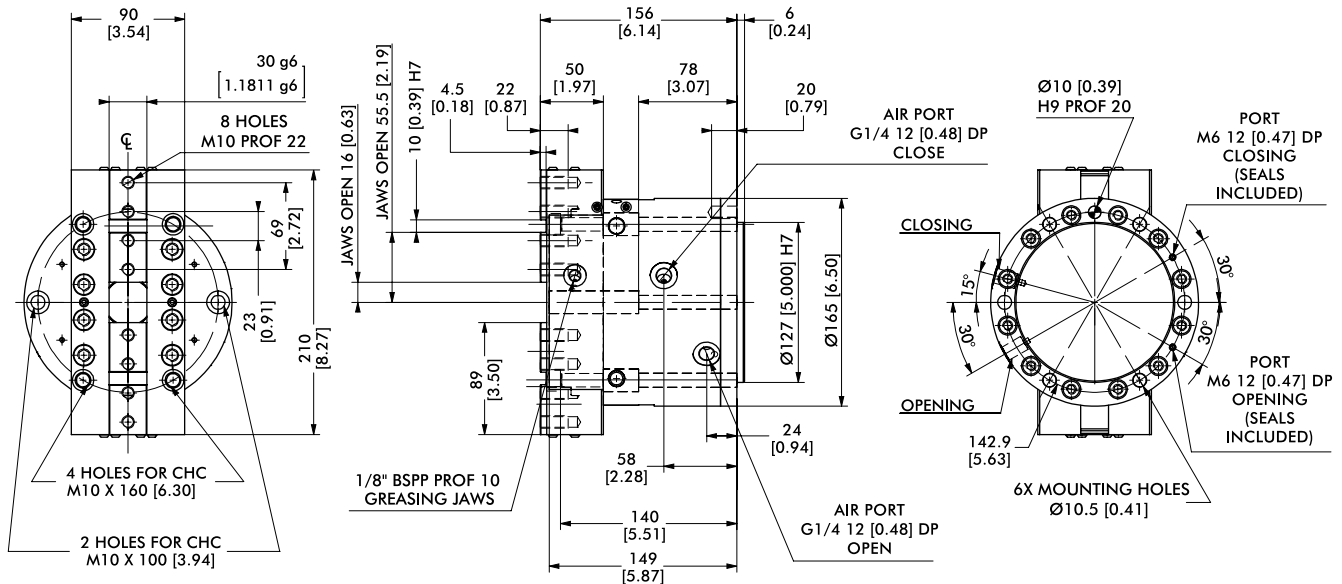


GR-PRC-9

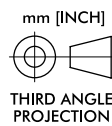
Dimensions and technical information are subject to change without notice

16502PGR

2-Jaw Precision Parallel Grippers | Dimensions and Technical Specifications

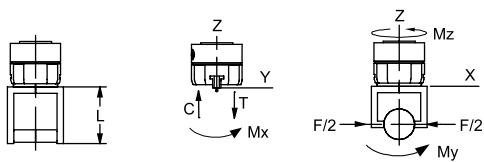
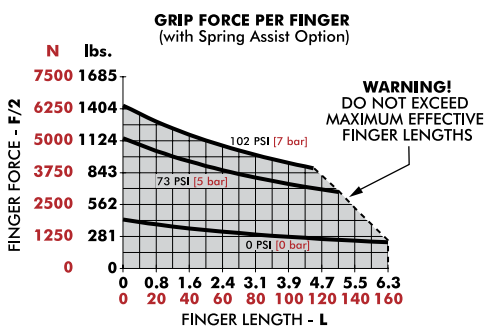


OUR GRIPPERS ARE SUPPLIED WITH OPEN SIDE AIR PORTS AND TOP AIR PORTS PLUGGED. WHEN OPERATING TOP AIR PORTS, PRODUCES MANIFOLD SEALING AS SHOWN.



Protective Boots	16502PGR
Fireproof KEVLAR Protective Boot, Red	KENVE2-21384
Seal Repair Kits	16502PGR
Buna-N Seal Repair Kit	SLKT-335
Viton® Seal Repair Kit	SLKT-335V
Hydraulic Seal Repair Kit	SLKT-336

Loading Information



16502PGR	Static
Maximum Tensile T	5200 N [1169 lbs]
Maximum Compressive C	6400 N [1438 lbs]
Maximum Moment M_x	270 Nm [2390 in-lbs]
Maximum Moment M_y	350 Nm [3098 in-lbs]
Maximum Moment M_z	300 Nm [2655 in-lbs]

[†]Capacities are per set of jaws and are not simultaneous

Dimensions and technical information are subject to change without notice

GR-PRC-10



DGC/GC SERIES

2-Jaw Precision Parallel Grippers | Features and Benefits | How To Order

Features:

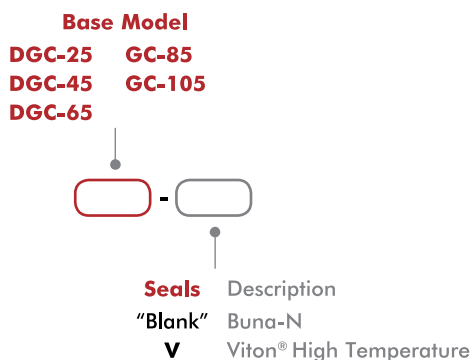
- Rugged, high precision long stroke gripper
- High impact resistant with double wedge design
- Versatile mounting on top or sides of gripper
- Spring assist option maintains grip in case of air pressure loss
- Two end of stroke inductive sensing positions supported
- DIRECTCONNECT™ mounting (DGC only)
- Shielded design to repel chips and particulates

Applications:

- Machining and harsh environment applications
- High vibration and impact applications
- Pick and Place applications



How To Order



Accessories

Sensor Accessories	Model Numbers	Part Number	Qty/Unit
4mm NPN Inductive Sensor with Quick Disconnect*	25, 45	OHSN-014	1-2
4mm PNP Inductive Sensor with Quick Disconnect*	25, 45	OHSP-014	1-2
8mm NPN Inductive Sensor with Quick Disconnect*	65, 85	OHSN-011	1-2
8mm PNP Inductive Sensor with Quick Disconnect*	65, 85	OHSP-011	1-2
12mm NPN Inductive Sensor with Quick Disconnect*	105	OHSN-017	1-2
12mm PNP Inductive Sensor with Quick Disconnect*	105	OHSP-017	1-2
Quick Disconnect 2 Meter Cable Length*	24, 45, 65, 85	CABL-010	1-2
Quick Disconnect 5 Meter Cable Length*	24, 45, 65, 85	CABL-013	1-2
Quick Disconnect 2 Meter Cable Length*	105	CABL-014	1-2
Quick Disconnect 5 Meter Cable Length*	105	CABL-018	1-2

*Sensor and cable sold separately.



GR-PRC-15

Dimensions and technical information are subject to change without notice

DGC/GC SERIES**2-Jaw Precision Parallel Grippers | Technical Specifications**

Specifications	Units	25	45	65	85	105
Total Rated Grip Force F @ 100 psi [7 bar]	N [lb]	474 [106]	481 [108]	796 [179]	1480 [333]	2318 [521]
Total Stroke	mm [in]	20 [0.787]	30 [1.181]	40 [1.575]	50 [1.968]	60 [2.362]
Weight	kg [lbs]	0.35 [0.77]	0.60 [1.32]	1.30 [2.87]	2.20 [4.85]	4.31 [9.50]
Pressure Range	bar [psi]	3-7 [45-100]				
Ingress Protection Class (IP)		IP54				
Displacement	cm ³ [in ³]	16 [0.98]	29 [1.77]	62 [3.78]	136 [8.30]	261 [15.93]
Temperature Range (Buna-N seals)	°C [°F]	-35°~80° [-30°~180°]				
Temperature Range (Viton® seals)	°C [°F]	-30°~150° [-20°~300°]				
Actuation (open/close)	sec	0.20	0.25	0.35	0.50	0.70
Accuracy	mm [in]	±0.02 [±0.0009]				
Repeatability	mm [in]	±0.01 [±0.0004]				
Valve to Required Actuate Single Acting		3-way, 2-position				
Valve to Required Actuate Double Acting		4-way, 2-position				

Dimensions and technical information are subject to change without notice

GR-PRC-16

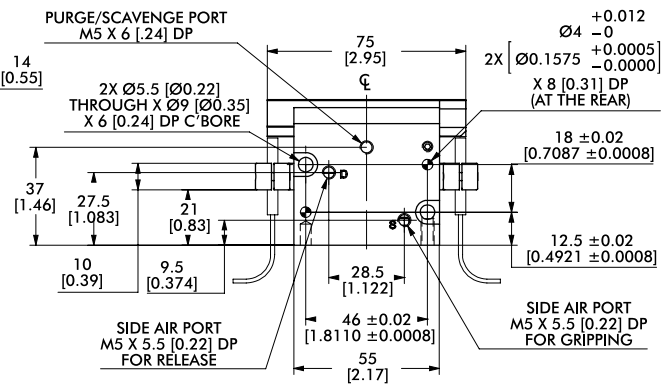
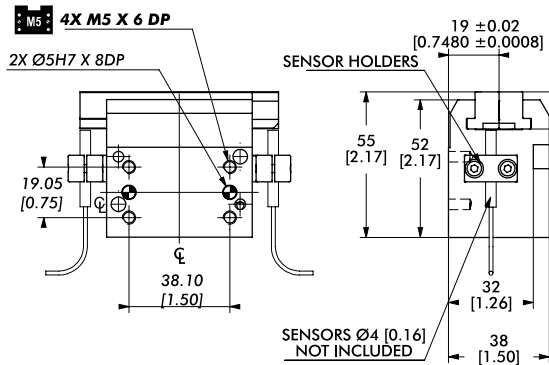
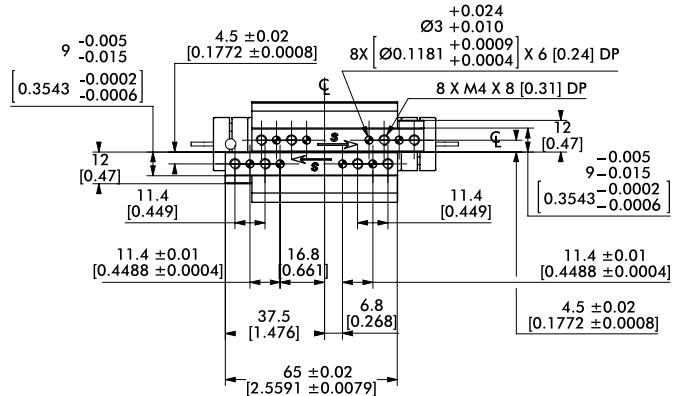
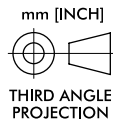
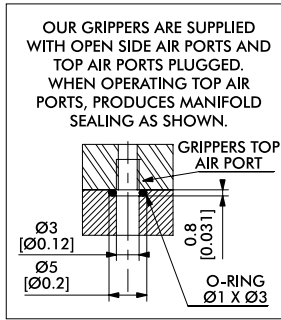


DGC-25

M5

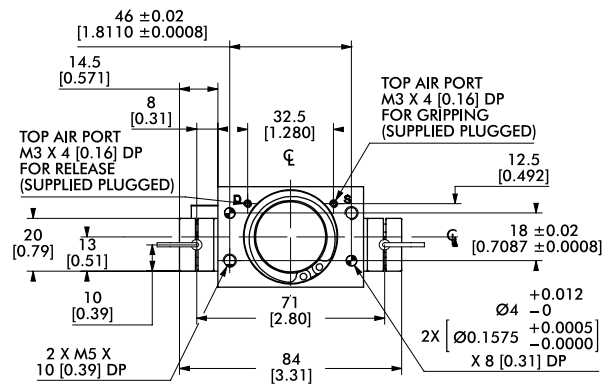
DIRECTCONNECT™

2-Jaw Precision Parallel Grippers | Dimensions and Technical Specifications



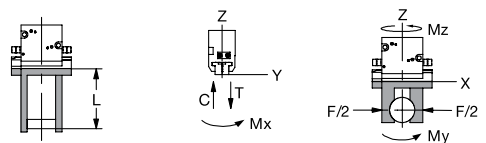
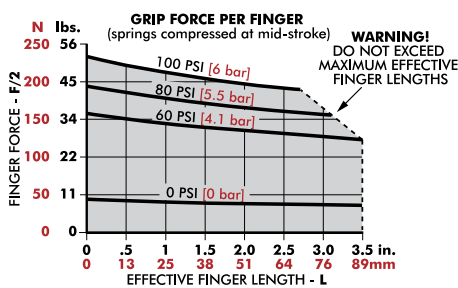
NOTE: To benefit from safety springs power, on open or on close, gripper must always be operated with "S" for GRIPPING and with "D" for RELEASE.

Drawing hereafter shows gripper gripping at the end of stroke (inlet through "S")



Seal Repair Kits	DGC-25
Buna-N Seal Repair Kit	SLKT-319
Viton® Seal Repair Kit	SLKT-319V

Loading Information



DGC-25	Static	Dynamic
Maximum Tensile T	125 N [28 lbs]	25 N [6 lbs]
Maximum Compressive C	145 N [33 lbs]	29 N [7 lbs]
Maximum Moment M_x	2 Nm [18 in-lbs]	0.5 Nm [4 in-lbs]
Maximum Moment M_y	4 Nm [35 in-lbs]	1 Nm [9 in-lbs]
Maximum Moment M_z	6 Nm [53 in-lbs]	1.5 Nm [13 in-lbs]

*Capacities are per set of jaws and are not simultaneous



GR-PRC-17

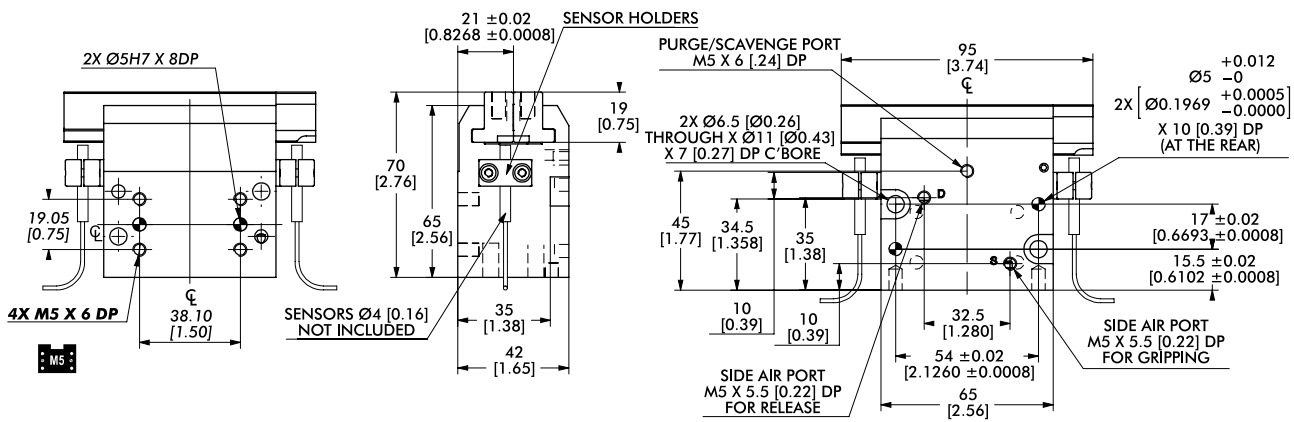
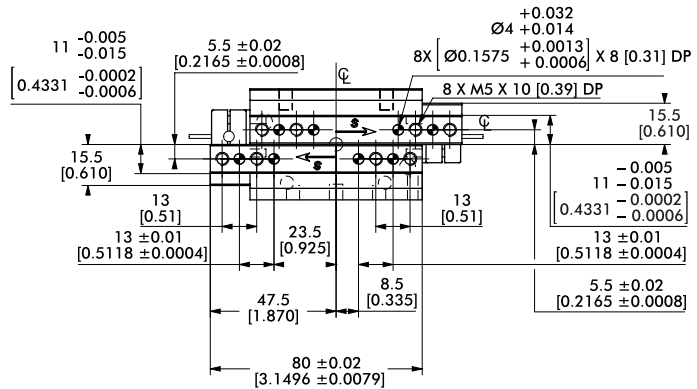
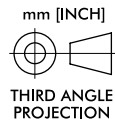
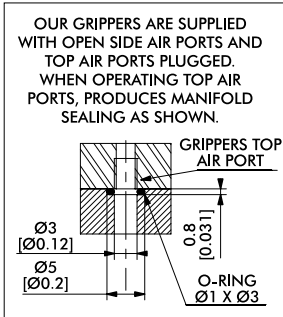
Dimensions and technical information are subject to change without notice

DIRECTCONNECT

M5

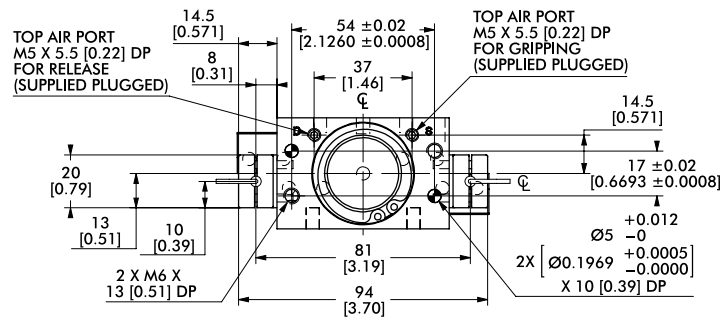
DGC-45

2-Jaw Precision Parallel Grippers | Dimensions and Technical Specifications



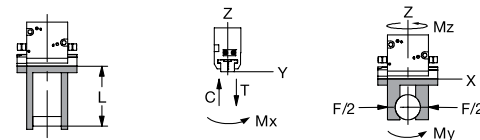
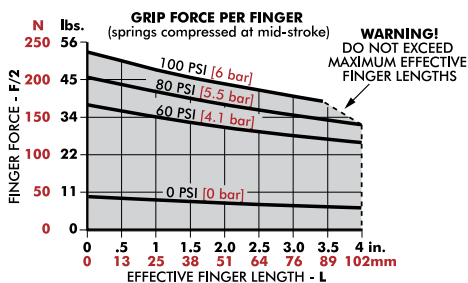
NOTE:
To benefit from safety springs power, on open or on close, gripper must always be operated with "S" for GRIPPING and with "D" for RELEASE.

Drawing hereafter shows gripper gripping at the end of stroke (inlet through "S")



Seal Repair Kits	DGC-45
Buna-N Seal Repair Kit	SLKT-321
Viton® Seal Repair Kit	SLKT-321V

Loading Information



DGC-45	Static	Dynamic
Maximum Tensile T	205 N [46 lbs]	41 N [9 lbs]
Maximum Compressive C	225 N [51 lbs]	45 N [10 lbs]
Maximum Moment M_x	3 Nm [27 in-lbs]	0.75 Nm [7 in-lbs]
Maximum Moment M_y	6 Nm [53 in-lbs]	1.5 Nm [13 in-lbs]
Maximum Moment M_z	9 Nm [80 in-lbs]	2.25 Nm [20 in-lbs]

*Capacities are per set of jaws and are not simultaneous

Dimensions and technical information are subject to change without notice

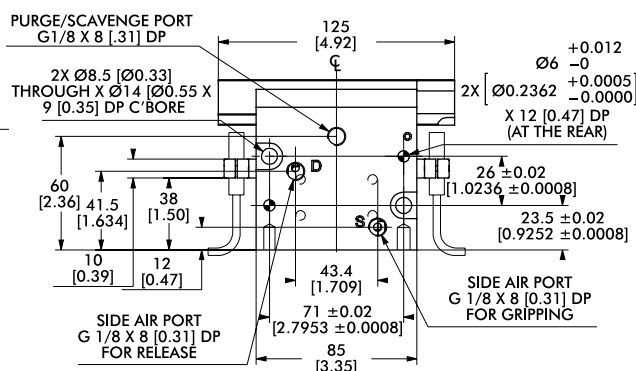
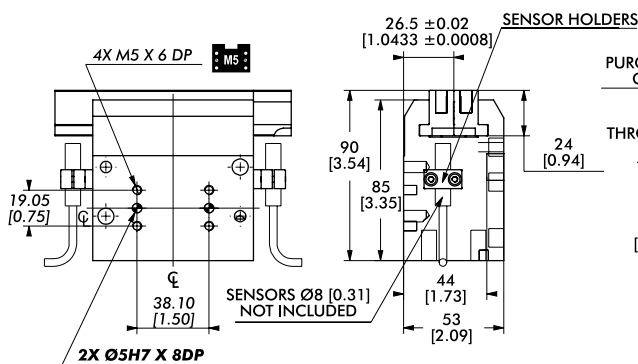
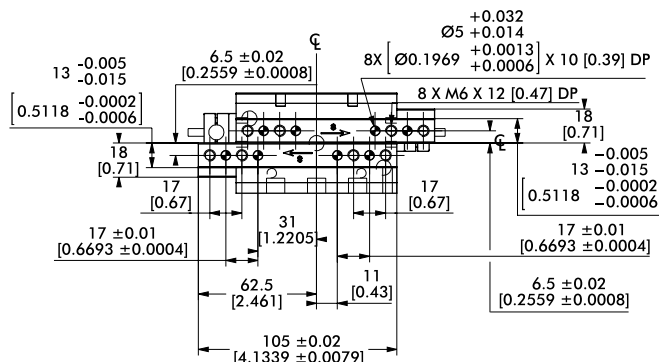
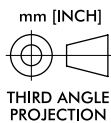
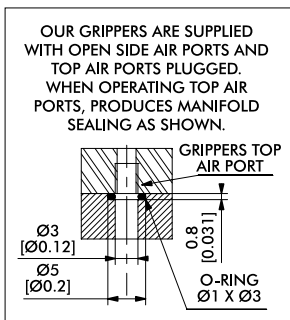
GR-PRC-18



DGC-65



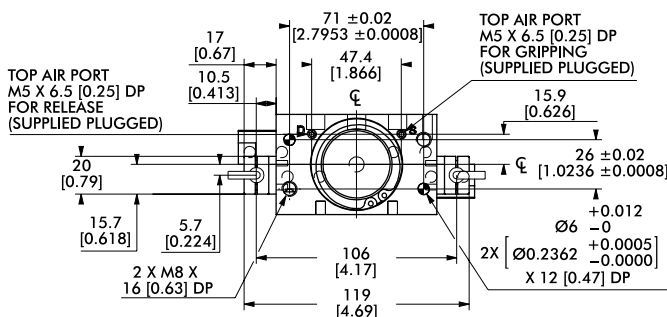
2-Jaw Precision Parallel Grippers | Dimensions and Technical Specifications



NOTE:

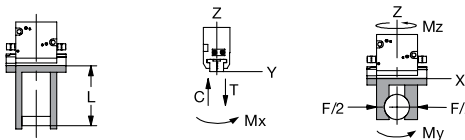
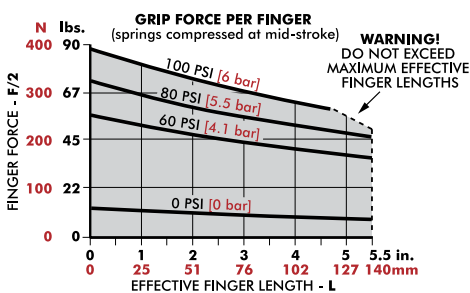
To benefit from safety springs power, on open or on close, gripper must always be operated with "S" for GRIPPING and with "D" for RELEASE.

Drawing hereafter shows gripper gripping at the end of stroke (inlet through "S")



Seal Repair Kits	DGC-65
Buna-N Seal Repair Kit	SLKT-323
Viton® Seal Repair Kit	SLKT-323V

Loading Information



DGC-65	Static	Dynamic
Maximum Tensile T	270 N [61 lbs]	54 N [12 lbs]
Maximum Compressive C	305 N [69 lbs]	61 N [14 lbs]
Maximum Moment M_x	4 Nm [35 in-lbs]	1 Nm [9 in-lbs]
Maximum Moment M_y	10 Nm [89 in-lbs]	2.5 Nm [22 in-lbs]
Maximum Moment M_z	17 Nm [150 in-lbs]	4.25 Nm [38 in-lbs]

*Capacities are per set of jaws and are not simultaneous

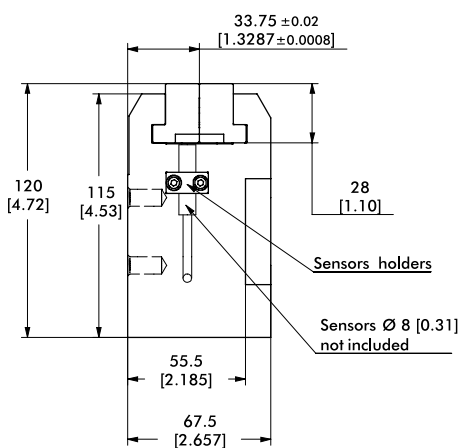
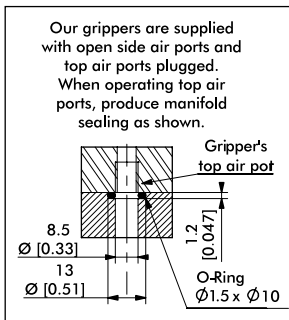


GR-PRC-19

Dimensions and technical information are subject to change without notice

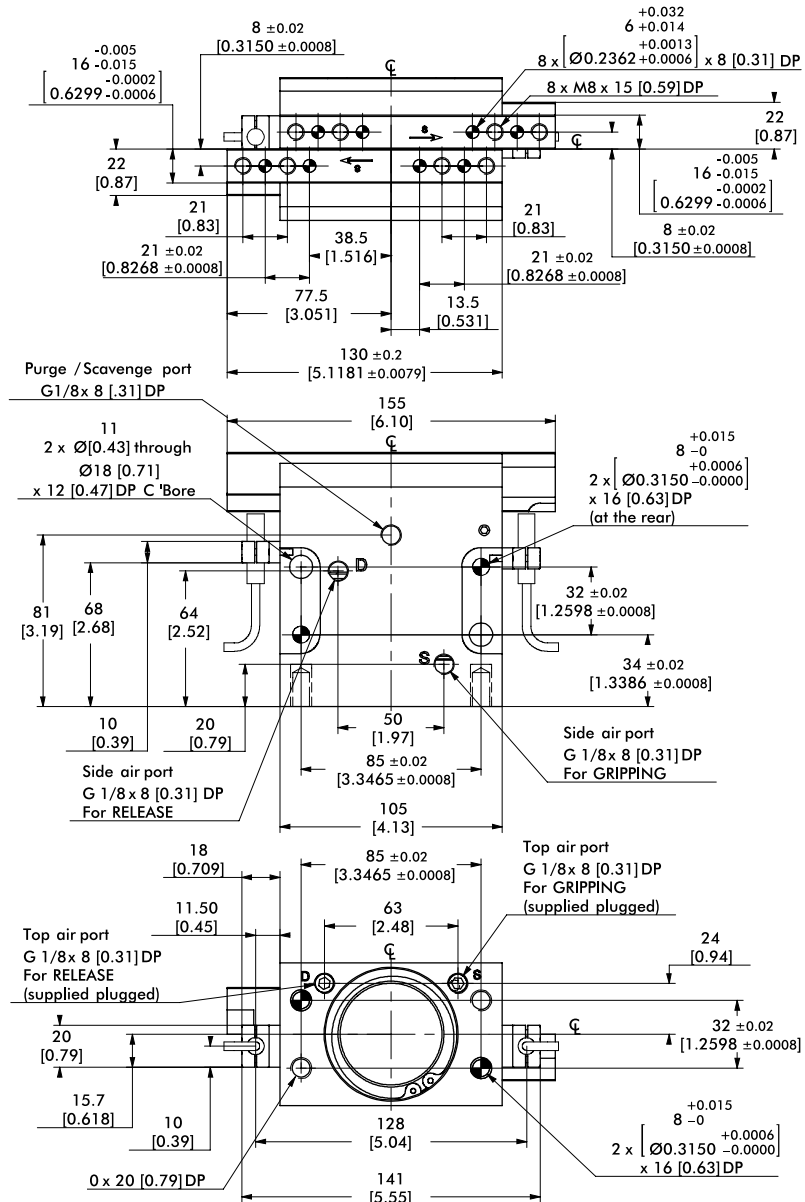
GC-85

2-Jaw Precision Parallel Grippers | Dimensions and Technical Specifications

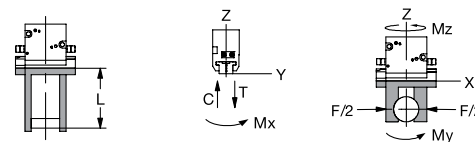
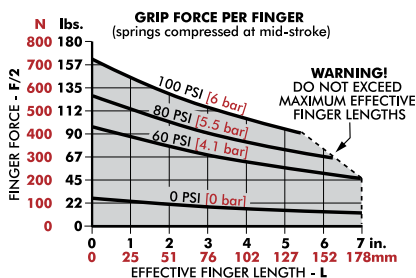


NOTE:
To benefit from safety springs power, on open or on close, gripper must always be operated with "S" for GRIPPING and with "D" for RELEASE.
Drawing hereafter shows gripper gripping at the end of stroke (inlet through "S")

Seal Repair Kits	GC-85
Buna-N Seal Repair Kit	SLKT-325
Viton® Seal Repair Kit	SLKT-325V



Loading Information



GC-85	Static	Dynamic
Maximum Tensile T	370 N [83 lbs]	74 N [17 lbs]
Maximum Compressive C	405 N [91 lbs]	81 N [18 lbs]
Maximum Moment M_x	6 Nm [53 in-lbs]	1.5 Nm [13 in-lbs]
Maximum Moment M_y	15 Nm [133 in-lbs]	3.75 Nm [33 in-lbs]
Maximum Moment M_z	27 Nm [239 in-lbs]	6.75 Nm [60 in-lbs]

*Capacities are per set of jaws and are not simultaneous

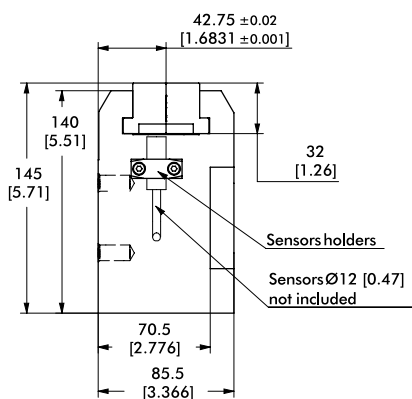
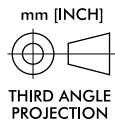
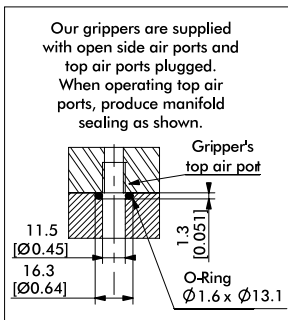
Dimensions and technical information are subject to change without notice

GR-PRC-20

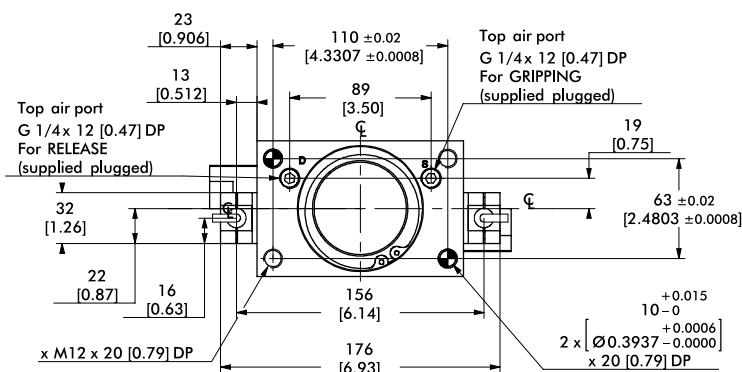
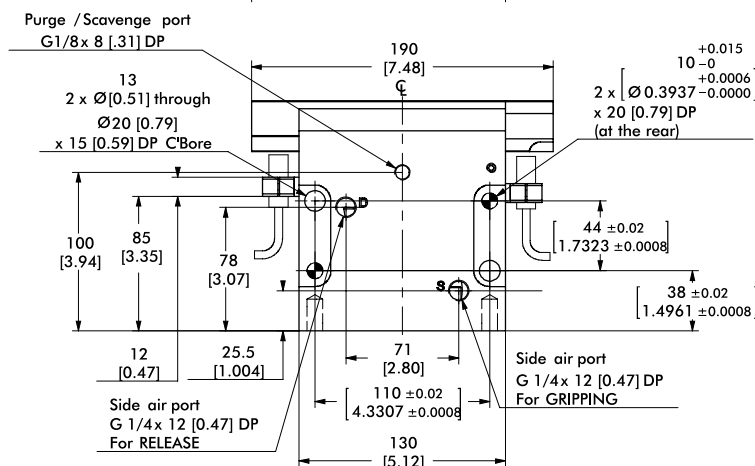
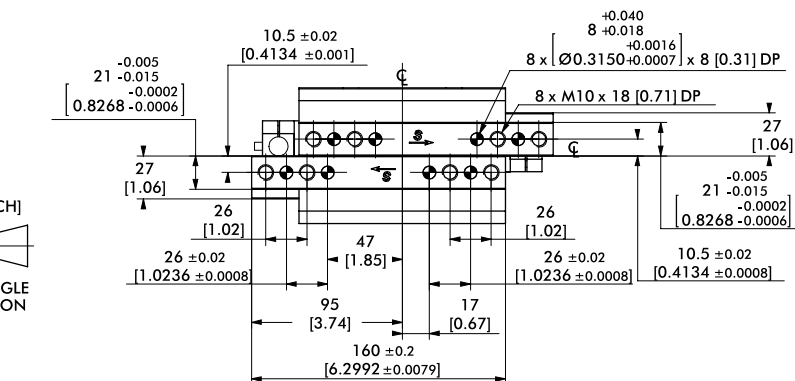


GC-105

2-Jaw Precision Parallel Grippers | Dimensions and Technical Specifications

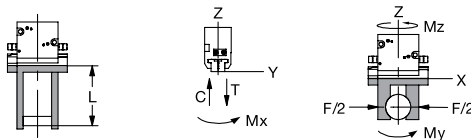
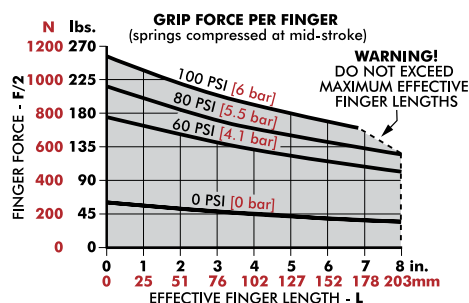


NOTE:
To benefit from safety springs power, on open or on close, gripper must always be operated with "S" for GRIPPING and with "D" for RELEASE.
Drawing hereafter shows gripper gripping at the end of stroke (inlet through "S")



Seal Repair Kits	DGC-105
Buna-N Seal Repair Kit	SLKT-27
Viton® Seal Repair Kit	SLKT-327V

Loading Information



GC-105	Static	Dynamic
Maximum Tensile T	415 N [93 lbs]	83 N [19 lbs]
Maximum Compressive C	455 N [102 lbs]	91 N [20 lbs]
Maximum Moment M_x	8 Nm [71 in-lbs]	2 Nm [18 in-lbs]
Maximum Moment M_y	19 Nm [168 in-lbs]	4.75 Nm [42 in-lbs]
Maximum Moment M_z	40 Nm [354 in-lbs]	10 Nm [89 in-lbs]

*Capacities are per set of jaws and are not simultaneous



GR-PRC-21

Dimensions and technical information are subject to change without notice

DPL SERIES

2-Jaw Precision Parallel Grippers | Features and Benefits | How To Order

Features:

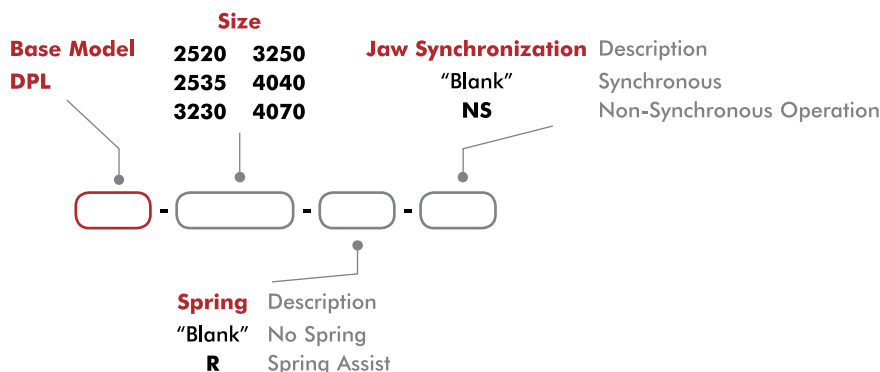
- Robust long stroke, high grip force precision gripper
- Rack and pinion design with double acting pistons
- Shielded design to repel chips and particulates
- Synchronous or non-synchronous jaw operation
- Spring assist option maintains grip in case of air pressure loss
- Multi-position sensing up to 3 locations

Applications:

- Packaging, pick and place applications
- Long finger gripping applications
- Large and heavy part handling



How To Order



Accessories

Sensor Accessories	Model Numbers	Part Number	Qty/Unit
M8 PNP Magneto Resistive Sensor with Quick Disconnect*	All Models	OHSP-017	1-3
M8 NPN Magneto Resistive Sensor with Quick Disconnect*	All Models	OHSN-017	1-3
M8 PNP Magneto Resistive Sensor (90° barrel) w/Qk. Disc.*	All Models	OHSP-011	1-3
M8 NPN Magneto Resistive Sensor (90° barrel) w/Qk. Disc.*	All Models	OHSN-011	1-3
M8 PNP Inductive Sensor with Quick Disconnect*	All Models	OISP-011	1-3
M8 NPN Inductive Sensor with Quick Disconnect*	All Models	OISN-011	1-3
M12 PNP Inductive Sensor with Quick Disconnect*	All Models	OISP-017	1-3
M12 NPN Inductive Sensor with Quick Disconnect*	All Models	OISN-017	1-3
Inductive Sensor Mounting Kit (3 Holders + 2 Flags)	See Datasheet		1
M8 Quick Disconnect 2 Meter Cable Length*	All Models	CABL-010	1-3
M8 Quick Disconnect 5 Meter Cable Length*	All Models	CABL-013	1-3
M12 Quick Disconnect 2 Meter Cable Length*	4040, 4070	CABL-014	1-3
M12 Quick Disconnect 5 Meter Cable Length*	4040, 4070	CABL-018	1-3

Pneumatic Accessories	Model Numbers	Part Number	Qty/Unit
Fitting Push-in Straight M5 - 6mm O.D. Tube	2520, 2535	PLFT-037	1-2
Fitting Push-in 90° Elbow M5 - 6mm O.D. Tube	2520, 2535	PLFT-041	1-2
Fitting Push-in Straight G1/8 - 6mm O.D. Tube	3230, 3250, 4040, 4070	PLFT-038	1-2
Fitting Push-in 90° Elbow G1/8 - 6mm O.D. Tube	3230, 3250, 4040, 4070	PLFT-042	1-2

*Sensor and cable sold separately.



GR-PRC-23

Dimensions and technical information are subject to change without notice

DPL SERIES**2-Jaw Precision Parallel Grippers | Technical Specifications**

Specifications	Units	2520	2535	3230
Total Rated Grip Force F @ 100 psi	N [lb]	811 [182]	768 [173]	1359 [306]
Total Stroke	mm [in]	40 [1.57]	70 [2.76]	60 [2.36]
Weight	kg [lbs]	1.38 [3.04]	1.80 [3.97]	2.26 [4.98]
Pressure Range (without springs)	bar [psi]	2-7 [30-100]		
Pressure Range (with springs)	bar [psi]	4-7 [60-100]		
Ingress Protection Class (IP)		IP54		
Displacement	cm ³ [in ³]	39 [2.38]	68 [4.15]	96 [5.86]
Temperature Range	°C [°F]	-20°~80° [-4°~180°]		
Actuation	sec	0.3	0.4	0.4
Accuracy	mm [in]	±0.08 [±0.003]		
Repeatability	mm [in]	±0.025 [±0.0010]		
Valve to Actuate Single Acting		3-way, 2-position		
Valve to Actuate Double Acting		4-way, 2-position		

Specifications	Units	3250	4040	4070
Total Rated Grip Force F @ 100 psi	N [lb]	1306 [294]	2035 [457]	2029 [456]
Total Stroke	mm [in]	100 [3.94]	80 [3.15]	140 [5.51]
Weight	kg [lbs]	3.02 [6.66]	4.30 [9.48]	6.00 [13.23]
Pressure Range (without springs)	bar [psi]	2-7 [30-100]		
Pressure Range (with springs)	bar [psi]	4-7 [60-100]		
Ingress Protection Class (IP)		IP54		
Displacement	cm ³ [in ³]	160 [9.96]	200 [12.20]	350 [21.36]
Temperature Range	°C [°F]	-20°~80° [-4°~180°]		
Actuation	sec	0.5	0.5	0.7
Accuracy	mm [in]	±0.08 [±0.003]		
Repeatability	mm [in]	±0.025 [±0.0010]		
Valve to Actuate Single Acting		3-way, 2-position		
Valve to Actuate Double Acting		4-way, 2-position		

DPL-2520



2-Jaw Precision Parallel Grippers | Dimensions and Technical Specifications

Sensor Accessories 2520

Inductive Sensor Mounting Kit (3 holders + 2 flags) OSMK-099

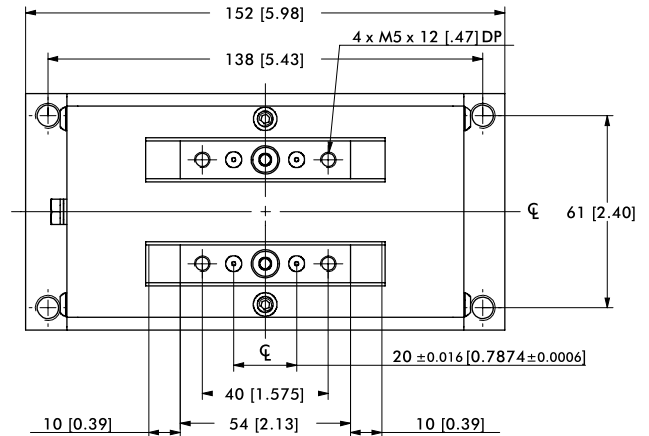
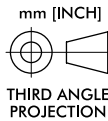
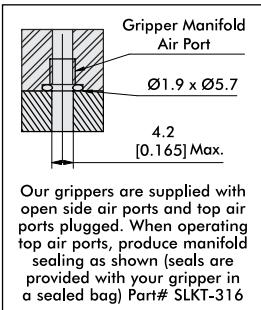
Seal Repair Kits 2520

Buna-N Seal Repair Kit SLKT-233

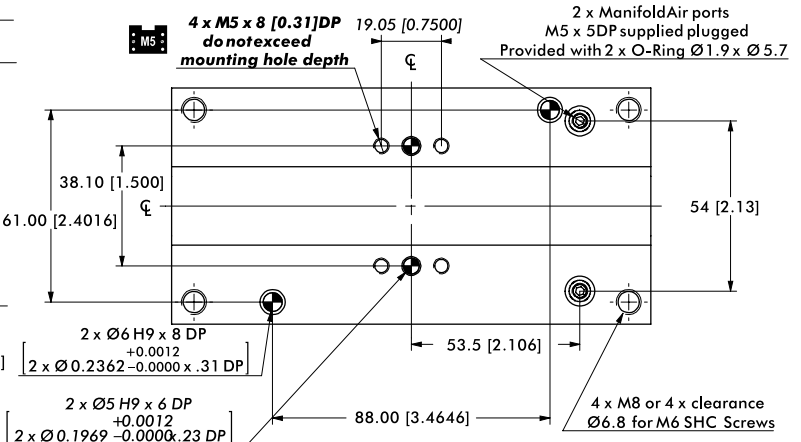
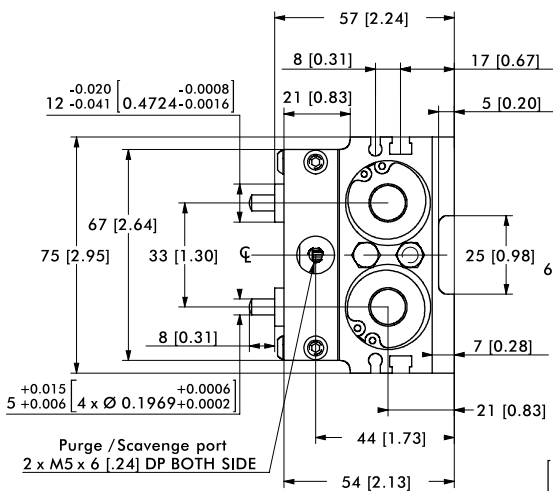
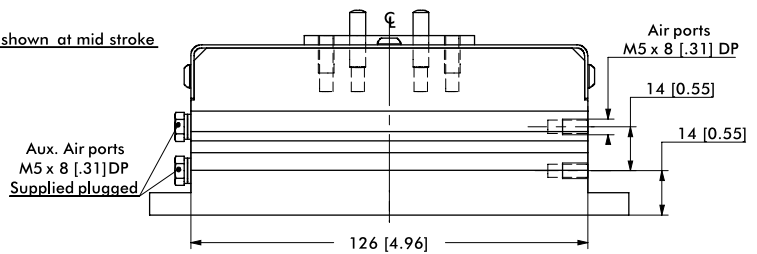
Rear Inlet Seal Repair Kit SLKT-316

Mounting Accessories 2520

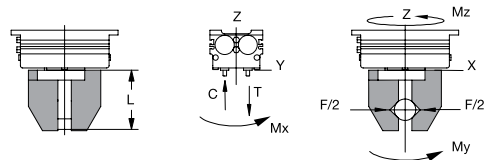
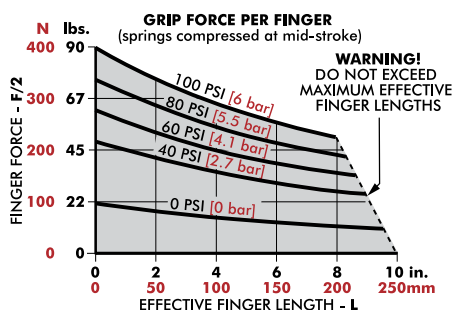
In-line Jaw Mounting Kit ODPL-001



Jaws shown at mid stroke



Loading Information



DPL-2520	Static	Dynamic
Maximum Tensile T	222 N [50 lbs]	67 N [15 lbs]
Maximum Compressive C	222 N [50 lbs]	67 N [15 lbs]
Maximum Moment M_x	6 Nm [50 in-lbs]	1 Nm [12 in-lbs]
Maximum Moment M_y	7 Nm [60 in-lbs]	2 Nm [15 in-lbs]
Maximum Moment M_z	6 Nm [50 in-lbs]	1 Nm [12 in-lbs]

*Capacities are per set of jaws and are not simultaneous



GR-PRC-25

Dimensions and technical information are subject to change without notice

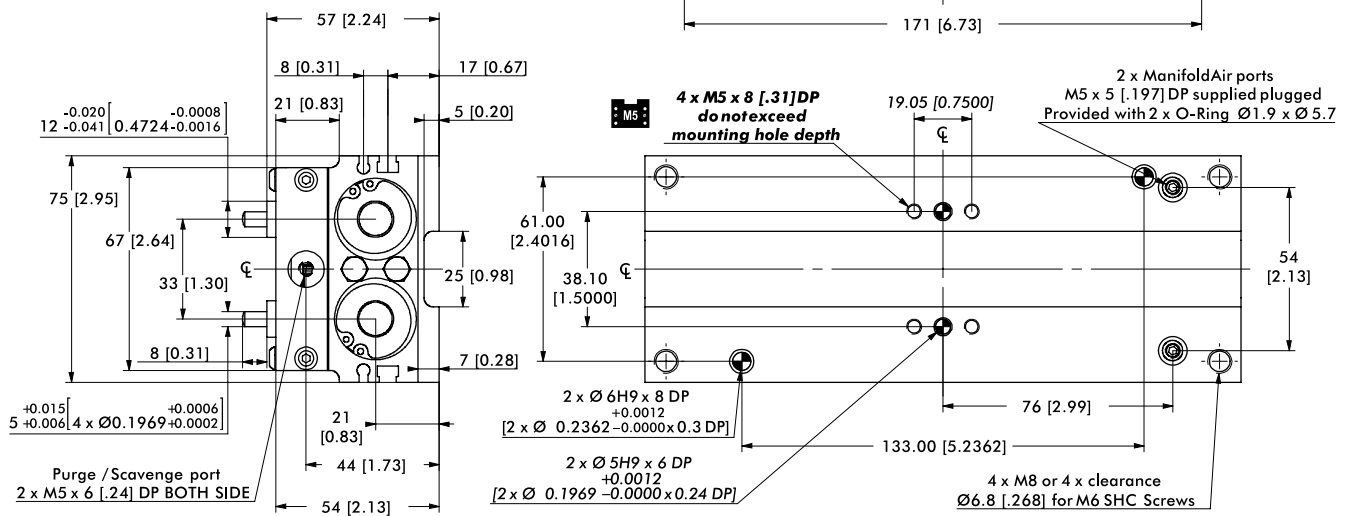
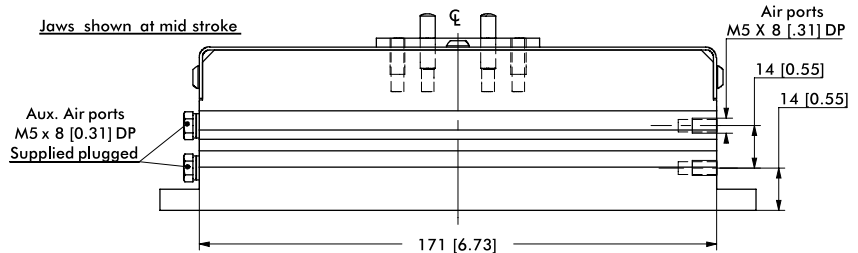
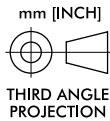
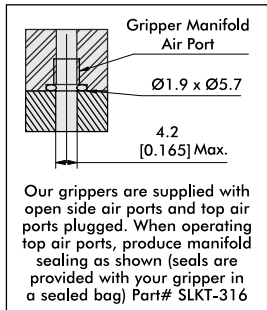
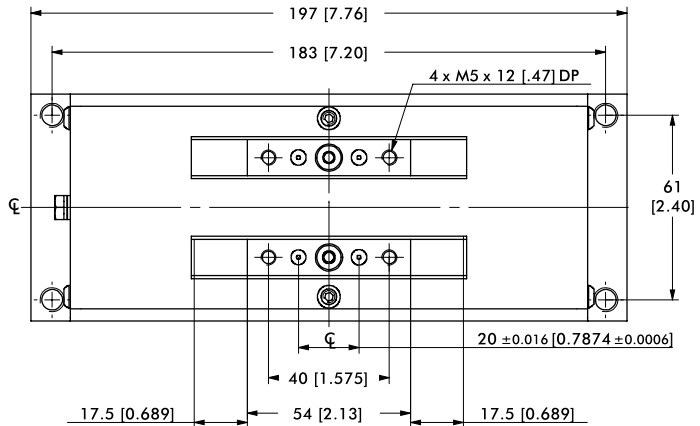
DIRECTCONNECT

M5

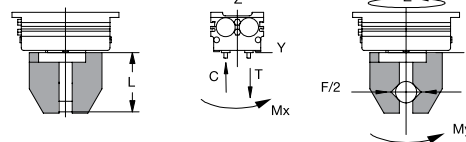
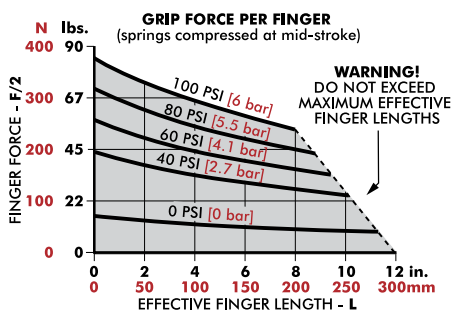
DPL-2535

2-Jaw Precision Parallel Grippers | Dimensions and Technical Specifications

Sensor Accessories	2535
Inductive Sensor Mounting Kit (3 holders + 2 flags)	OSMK-099
Seal Repair Kits	2535
Buna-N Seal Repair Kit	SLKT-233
Rear Inlet Seal Repair Kit	SLKT-316
Mounting Accessories	2535
In-line Jaw Mounting Kit	ODPL-002



Loading Information



DPL-2335	Static	Dynamic
Maximum Tensile T	267 N [60 lb]	89 N [20 lb]
Maximum Compressive C	267 N [60 lb]	89 N [20 lb]
Maximum Moment M_x	11 Nm [100 in-lb]	3 Nm [25 in-lb]
Maximum Moment M_y	14 Nm [120 in-lb]	3 Nm [30 in-lb]
Maximum Moment M_z	11 Nm [100 in-lb]	3 Nm [25 in-lb]

*Capacities are per set of jaws and are not simultaneous

Dimensions and technical information are subject to change without notice

GR-PRC-26

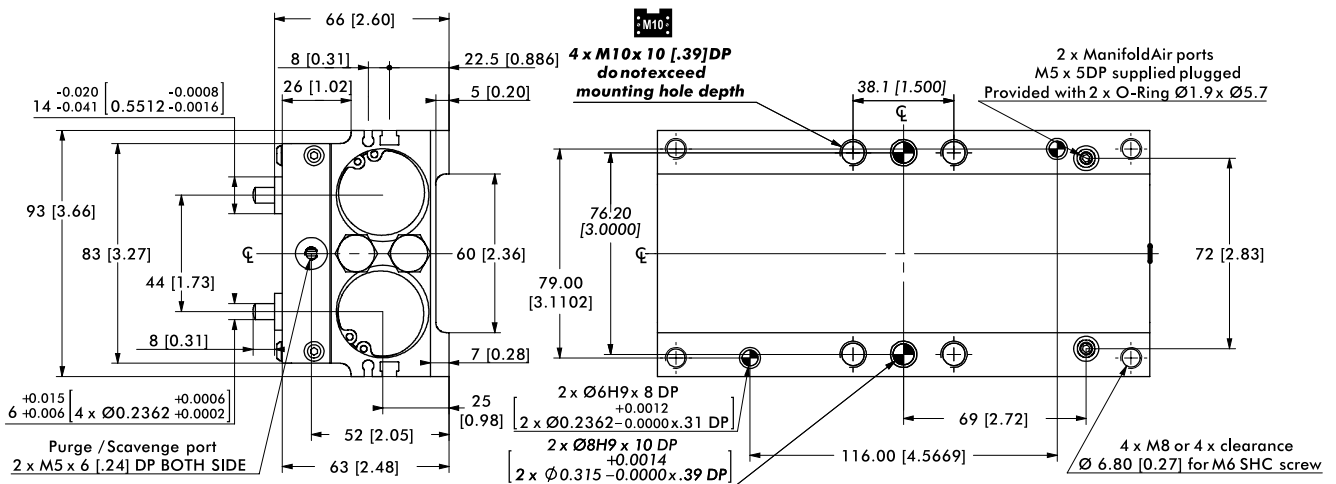
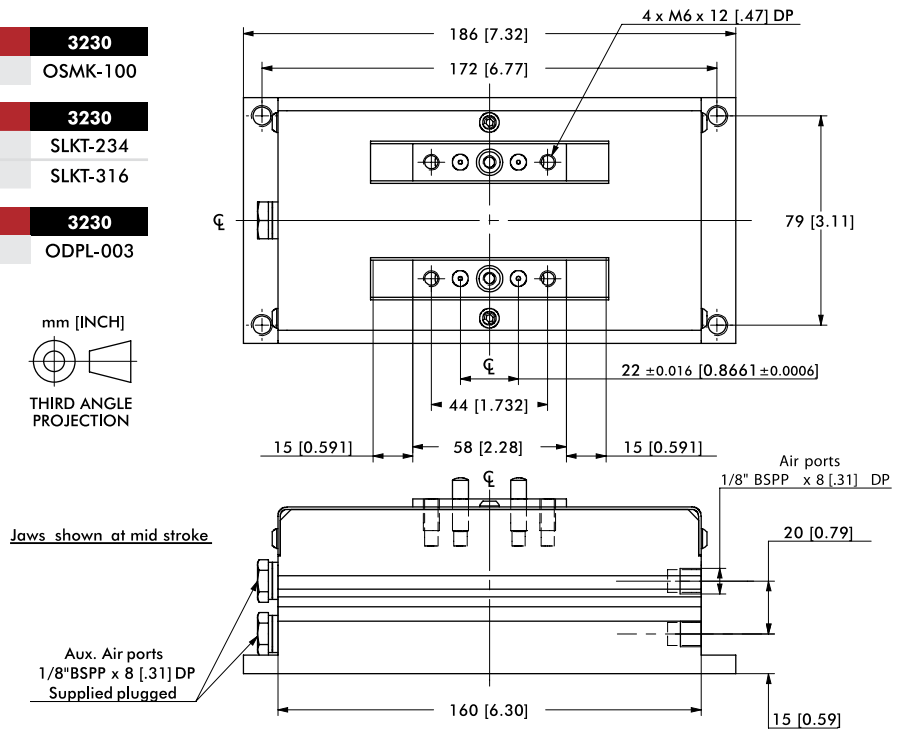
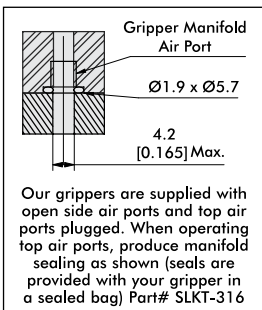
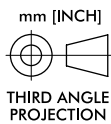


DPL-3230

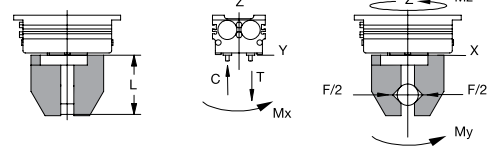
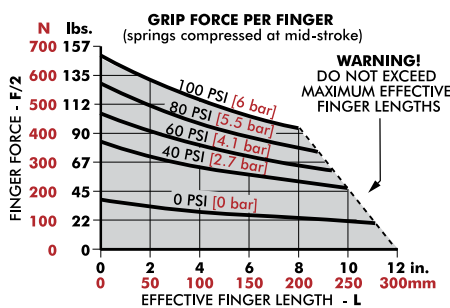


2-Jaw Precision Parallel Grippers | Dimensions and Technical Specifications

Sensor Accessories	3230
Inductive Sensor Mounting Kit (3 holders + 2 flags)	OSMK-100
Seal Repair Kits	3230
Buna-N Seal Repair Kit	SLKT-234
Rear Inlet Seal Repair Kit	SLKT-316
Mounting Accessories	3230
In-line Jaw Mounting Kit	ODPL-003



Loading Information



DPL-3230	Static	Dynamic
Maximum Tensile T	1525 N [343 lbs]	270 N [61 lbs]
Maximum Compressive C	1900 N [427 lbs]	270 N [61 lbs]
Maximum Moment M_x	76 Nm [673 in-lbs]	8 Nm [71 in-lbs]
Maximum Moment M_y	227 Nm [2009 in-lbs]	22 Nm [195 in-lbs]
Maximum Moment M_z	120 Nm [1062 in-lbs]	22 Nm [195 in-lbs]

*Capacities are per set of jaws and are not simultaneous



GR-PRC-27

Dimensions and technical information are subject to change without notice

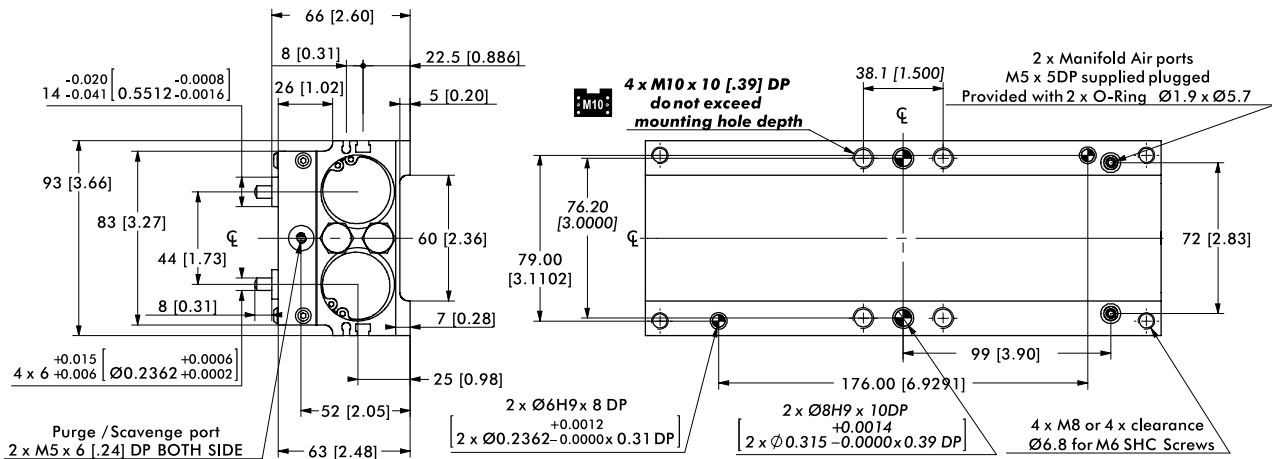
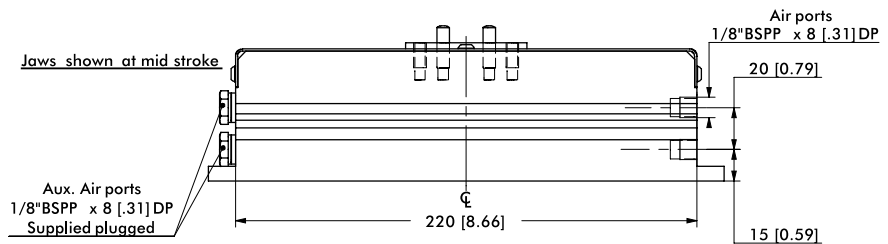
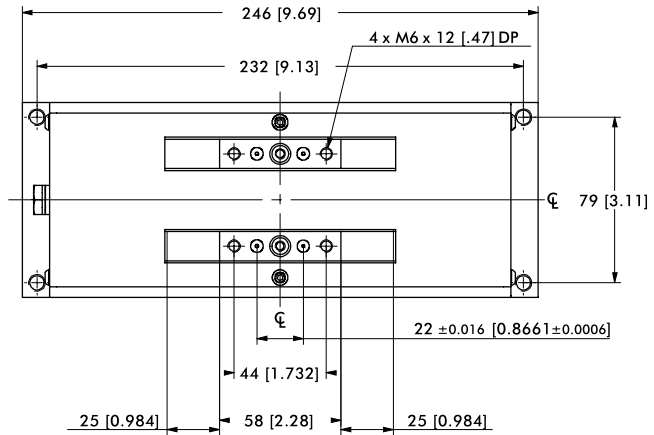
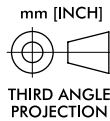


2-Jaw Precision Parallel Grippers | Dimensions and Technical Specifications

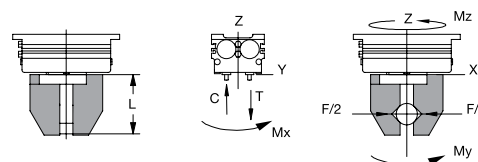
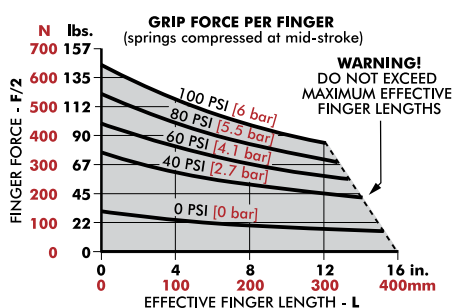
Sensor Accessories	3250
Inductive Sensor Mounting Kit (3 holders + 2 flags)	OSMK-100
Seal Repair Kits	3250
Buna-N Seal Repair Kit	SLKT-234
Rear Inlet Seal Repair Kit	SLKT-316
Mounting Accessories	3250
In-line Jaw Mounting Kit	ODPL-004

Gripper Manifold Air Port
 $\varnothing 1.9 \times \varnothing 5.7$
 4.2 [0.165] Max.

Our grippers are supplied with open side air ports and top air ports plugged. When operating top air ports, produce manifold sealing as shown (seals are provided with your gripper in a sealed bag) Part# SLKT-316



Loading Information



DPL-3250	Static	Dynamic
Maximum Tensile T	1850 N [416 lbs]	260 N [58 lbs]
Maximum Compressive C	2315 N [520 lbs]	260 N [58 lbs]
Maximum Moment M_x	87 Nm [770 in-lbs]	8 Nm [71 in-lbs]
Maximum Moment M_y	350 Nm [3098 in-lbs]	32 Nm [283 in-lbs]
Maximum Moment M_x	190 Nm [1682 in-lbs]	32 Nm [283 in-lbs]

[†]Capacities are per set of jaws and are not simultaneous

Dimensions and technical information are subject to change without notice

GR-PRC-28

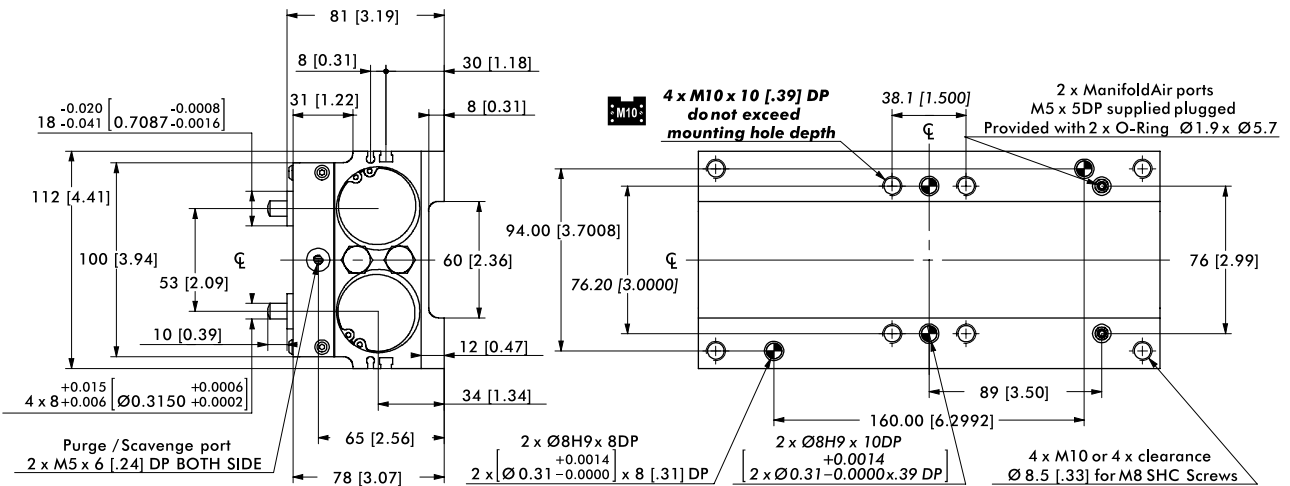
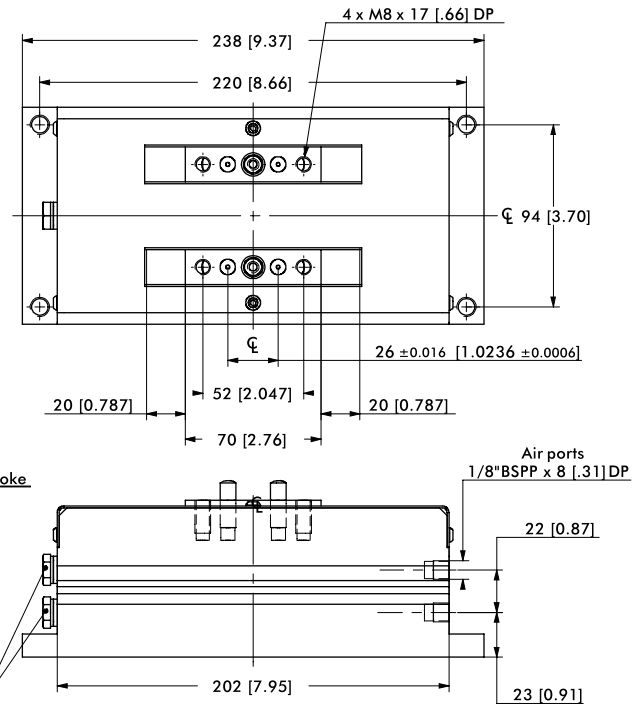
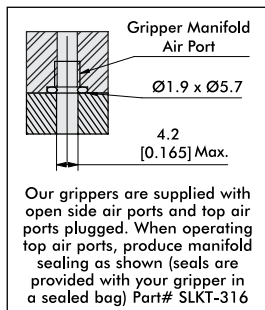


DPL-4040

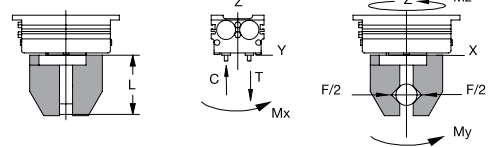
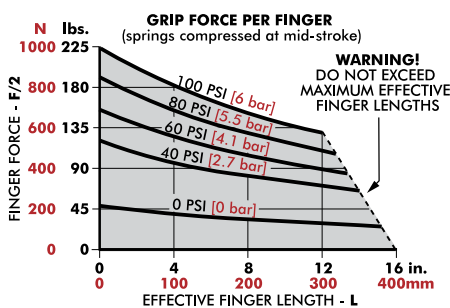


2-Jaw Precision Parallel Grippers | Dimensions and Technical Specifications

Sensor Accessories	4040
Inductive Sensor Mounting Kit (3 holders + 2 flags)	OSMK-101
Seal Repair Kits	4040
Buna-N Seal Repair Kit	SLKT-235
Rear Inlet Seal Repair Kit	SLKT-316
Mounting Accessories	4040
In-line Jaw Mounting Kit	ODPL-005



Loading Information



DPL-4040	Static	Dynamic
Maximum Tensile T	2030 N [456 lbs]	400 N [90 lbs]
Maximum Compressive C	2440 N [549 lbs]	400 N [90 lbs]
Maximum Moment M_x	135 Nm [1195 in-lbs]	14 Nm [124 in-lbs]
Maximum Moment M_y	420 Nm [3717 in-lbs]	43 Nm [381 in-lbs]
Maximum Moment M_z	220 Nm [1947 in-lbs]	43 Nm [381 in-lbs]

*Capacities are per set of jaws and are not simultaneous



GR-PRC-29

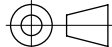
Dimensions and technical information are subject to change without notice



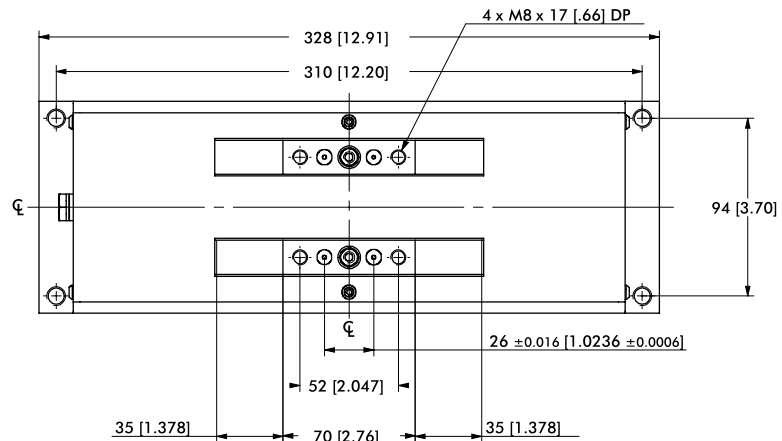
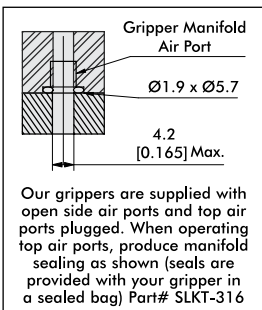
2-Jaw Precision Parallel Grippers | Dimensions and Technical Specifications

Sensor Accessories	4070
Inductive Sensor Mtg Kit (3 holders + 2 flags)	OSMK-101
Seal Repair Kits	4070
Buna-N Seal Repair Kit	SLKT-235
Rear Inlet Seal Repair Kit	SLKT-316
Mounting Accessories	4070
In-line Jaw Mounting Kit	ODPL-006

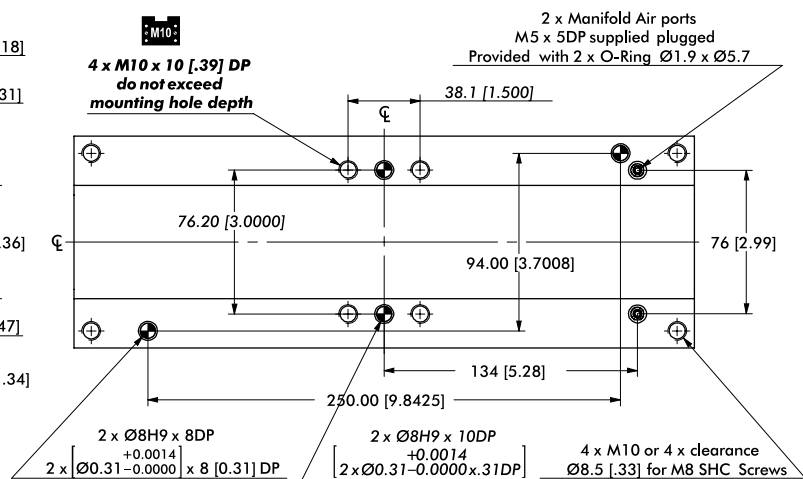
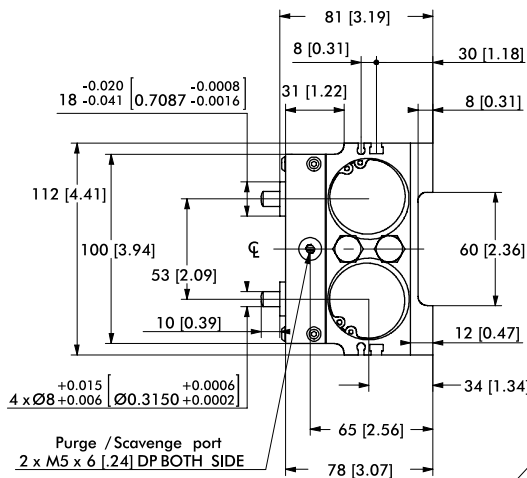
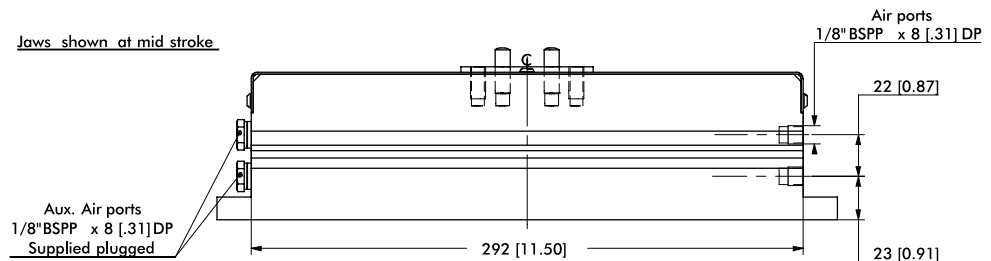
mm [INCH]



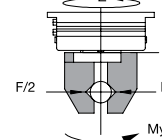
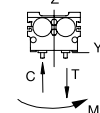
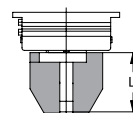
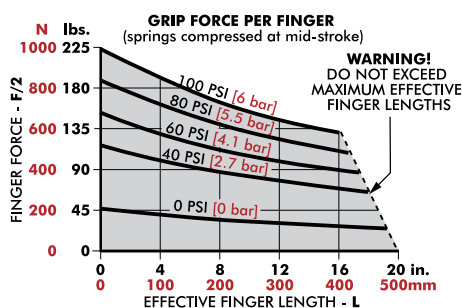
THIRD ANGLE PROJECTION



Jaws shown at mid stroke



Loading Information



DPL-4070	Static	Dynamic
Maximum Tensile T	2510 N [564 lbs]	400 N [90 lbs]
Maximum Compressive C	3010 N [677 lbs]	400 N [90 lbs]
Maximum Moment M_x	160 Nm [1416 in-lbs]	15 Nm [133 in-lbs]
Maximum Moment M_y	665 Nm [5885 in-lbs]	64 Nm [566 in-lbs]
Maximum Moment M_z	350 Nm [3098 in-lbs]	64 Nm [566 in-lbs]

[†]Capacities are per set of jaws and are not simultaneous

Dimensions and technical information are subject to change without notice

GR-PRC-30

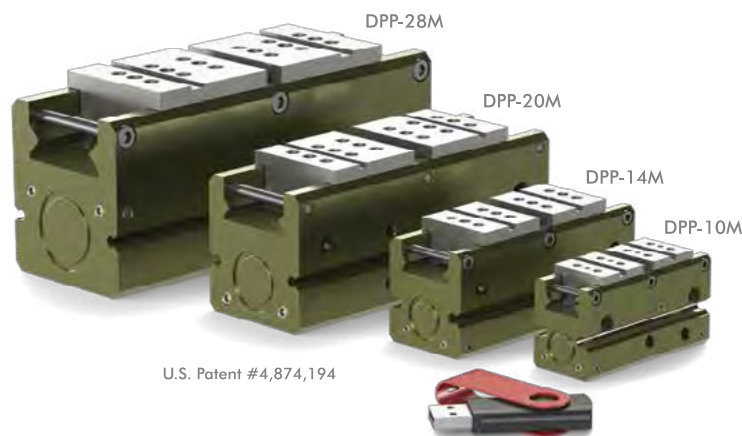


DPP SERIES

2-Jaw Precision Parallel Grippers | Features and Benefits | How To Order

Features:

- Highest precision gripper with excellent part position repeatability
- Zero side play and smooth operation with shielded Dual-V roller bearing design
- Spring assist closed option for increased grip force or maintain grip upon air loss.
- Multiple air port locations simplifies air line routing
- Supports up to four sensing positions of jaws
- Synchronous or non-synchronous jaw operation
- Long life supported with shielded design
- Purge/scavenge ports for clean & harsh environments



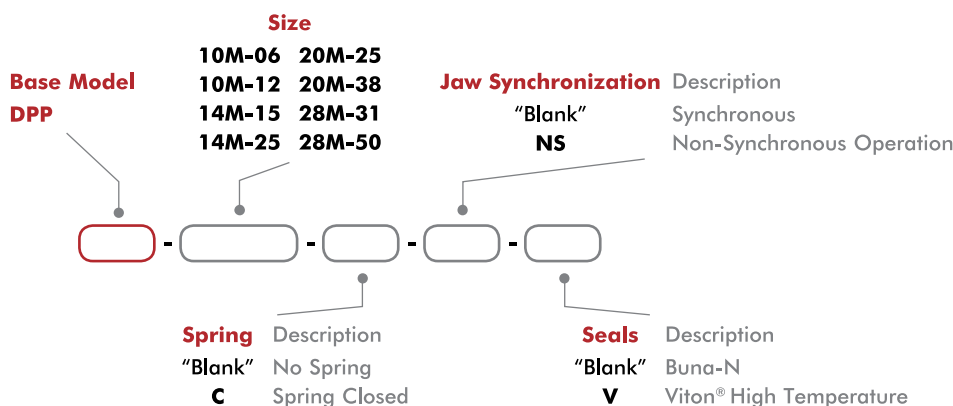
U.S. Patent #4,874,194

(USB key shown for scale)

Applications:

- Delicate part handling, low friction, low pressure applications
- Long finger gripping applications
- Non-synchronous applications requiring independent jaw motion

How To Order



Accessories

Sensor Accessories	Model Numbers	Part Number	Qty/Unit
Inductive Sensor Mounting Kit (Mounts 2 sensors)	10M, 14M	OSMK-119	1-2
Inductive Sensor Mounting Kit (Mounts 2 sensors)	20M, 28M	OSMK-120	1-2
NPN Inductive Sensor (with Qk. Disc.)*	All Models	OISN-014	1-4
PNP Inductive Sensor (with Qk. Disc.)*	All Models	OISP-014	1-4
NPN Magneto Resistive Sensor (with Qk. Disc.)*†	All Models	OHSN-017	1-4
PNP Magneto Resistive Sensor (with Qk. Disc.)*†	All Models	OHSP-017	1-4
NPN Magneto Resistive Sensor 90° (with Qk. Disc.)*†	All Models	OHSN-011	1-4
PNP Magneto Resistive Sensor 90° (with Qk. Disc.)*†	All Models	OHSP-011	1-4
Quick Disconnect Cable (2 meters long)*	All Models	CABL-010	1-4
Quick Disconnect Cable (5 meters long)*	All Models	CABL-013	1-4

Pneumatic Accessories	Model Numbers	Part Number	Qty/Unit
Adjustable Flow Control-M3 Elbow-3MM OD Tube Push-in Style	10M, 14M	VLVF-018	1-2
Adjustable Flow Control-M5 Elbow-6MM OD Tube Push-in Style	20M, 28M	VLVF-008	1-2
Fail Safe Valve - M5	All Models	OFSV-004	1

* Sensor and cable sold separately. †Piston magnet standard.



GR-PRC-31

Dimensions and technical information are subject to change without notice

DPP SERIES

2-Jaw Precision Parallel Grippers | Technical Specifications

Specifications	Units	10M-6	10M-12	14M-15	14M-25
Total Rated Grip Force F @ 100 psi [7 bar]*	N [lb]	120 [27]		227 [51]	214 [48]
Total Stroke	mm [in]	6.4 [0.25]	12.7 [0.50]	15.9 [0.63]	25.4 [1.00]
Weight	kg [lbs]	0.16 [0.35]	0.20 [0.45]	0.48 [1.05]	0.57 [1.25]
Pressure Range (without spring)	bar [psi]	0.3-7 [5-100]			
Pressure Range (with spring)	bar [psi]	1.4-7 [20-100]		3.4-7 [50-100]	
Ingress Protection Class (IP)		IP43			
Displacement	cm ³ [in ³]	0.5 [0.032]	1.1 [0.065]	2.5 [0.156]	4.1 [0.249]
Temperature Range (Buna-N seals)	°C [°F]	-35°~80° [-30°~180°]			
Temperature Range (Viton® seals)	°C [°F]	-30°~120° [-20°~250°]			
Actuation (without spring)	sec	0.10	0.11	0.15	0.19
Actuation (with spring)	sec	0.11	0.12	0.16	0.20
Accuracy	mm [in]	±0.03 [±0.001]			
Repeatability	mm [in]	±0.01 [±0.0005]			
Valve to Actuate Single Acting		3-way, 2-position			
Valve to Actuate Double Acting		4-way, 2-position			

*With springs

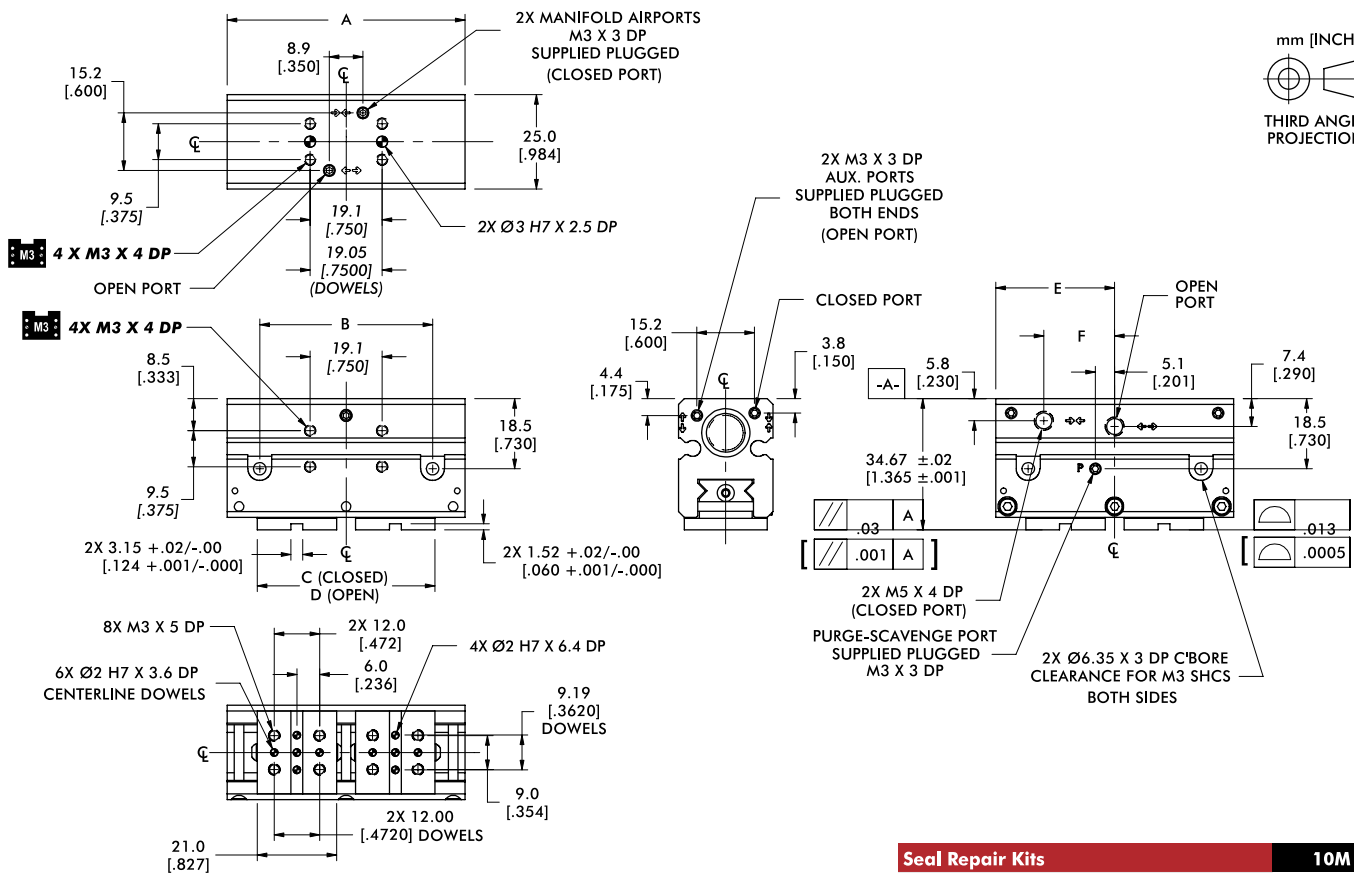
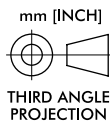
Specifications	Units	20M-25	20M-38	28M-31	28M-50
Total Rated Grip Force F @ 100 psi [7 bar]*	N [lb]	458 [103]	449 [101]	912 [205]	934 [210]
Total Stroke	mm [in]	25.4 [1.00]	38.1 [1.50]	31.8 [1.50]	50.8 [2.00]
Weight	kg [lbs]	1.02 [2.25]	1.41 [3.10]	2.06 [4.55]	2.83 [6.25]
Pressure Range (without spring)	bar [psi]	0.3-7 [5-100]			
Pressure Range (with spring)	bar [psi]	2.8-7 [40-100]	2.1-7 [30-100]	2.1-7 [30-100]	2.8-7 [40-100]
Ingress Protection Class (IP)		IP43			
Displacement	cm ³ [in ³]	8.5 [0.519]	12.8 [0.779]	20.4 [1.243]	32.6 [1.998]
Temperature Range (Buna-N seals)	°C [°F]	-35°~80° [-30°~180°]			
Temperature Range (Viton® seals)	°C [°F]	-30°~120° [-20°~250°]			
Actuation (without spring)		0.20	0.24	0.19	0.23
Actuation (with spring)		0.22	0.29	0.25	0.30
Accuracy	mm [in]	±0.03 [±0.001]			
Repeatability	mm [in]	±0.01 [±0.0005]			
Valve to Actuate Single Acting		3-way, 2-position			
Valve to Actuate Double Acting		4-way, 2-position			

*With springs

DPP-10M-06, 10M-12



2-Jaw Precision Parallel Grippers | Dimensions and Technical Specifications

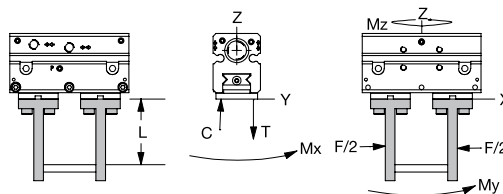
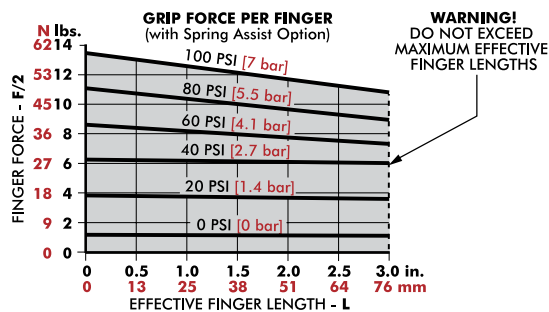
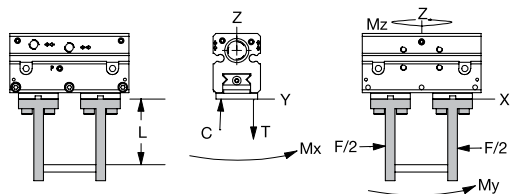
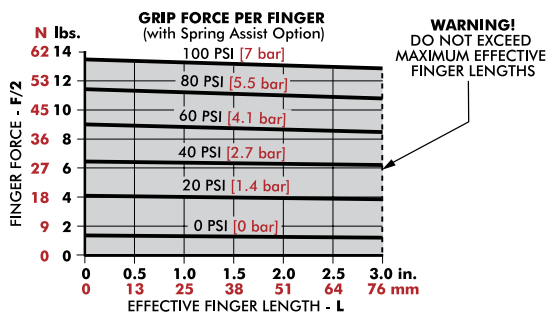


Model	A	B	C	D	E	F
DPP-10M-06	62.9 [2.475]	45.7 [1.800]	47 [1.85]	53 [2.10]	31.4 [1.238]	18.7 [0.738]
DPP-10M-12	73.7 [2.900]	53.3 [2.100]	49 [1.93]	62 [2.43]	36.8 [1.450]	24.1 [0.950]

Dimensions in mm [in]

Seal Repair Kits	10M
Buna-N Seal Repair Kit	SLKT-343
Viton® Seal Repair Kit	SLKT-343V
Manifold Seal Kit (Viton® only)	SLKT-241V

Loading Information



DPP-10M-06	Static	Dynamic
Maximum Tensile T	267 N [60 lbs]	89 N [20 lbs]
Maximum Compressive C	267 N [60 lbs]	89 N [20 lbs]
Maximum Moment M_x	4.0 Nm [35 in-lbs]	1.4 Nm [12 in-lbs]
Maximum Moment M_y	5.6 Nm [50 in-lbs]	1.9 Nm [17 in-lbs]
Maximum Moment M_z	4.0 Nm [35 in-lbs]	1.4 Nm [12 in-lbs]

*Capacities are per set of jaws and are not simultaneous

DPP-10M-12	Static	Dynamic
Maximum Tensile T	311 N [70 lbs]	102 N [23 lbs]
Maximum Compressive C	311 N [70 lbs]	102 N [23 lbs]
Maximum Moment M_x	5.6 Nm [50 in-lbs]	1.9 Nm [17 in-lbs]
Maximum Moment M_y	7.3 Nm [65 in-lbs]	2.5 Nm [22 in-lbs]
Maximum Moment M_z	5.6 Nm [50 in-lbs]	1.9 Nm [17 in-lbs]

*Capacities are per set of jaws and are not simultaneous



GR-PRC-33

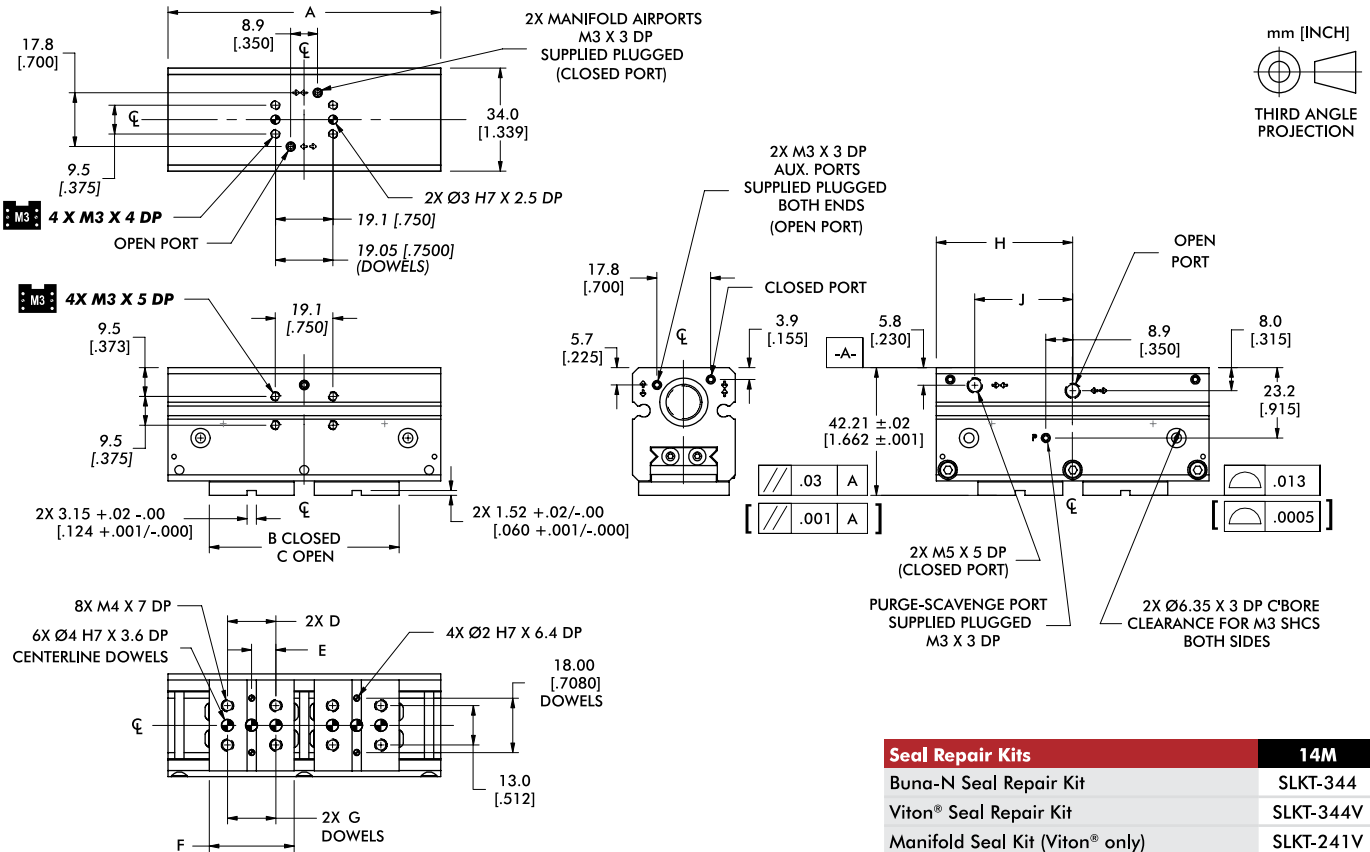
Dimensions and technical information are subject to change without notice

DIRECTCONNECT™

M3

DPP-14M-15, 14M-25

2-Jaw Precision Parallel Grippers | Dimensions and Technical Specifications

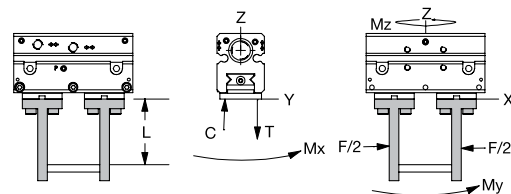
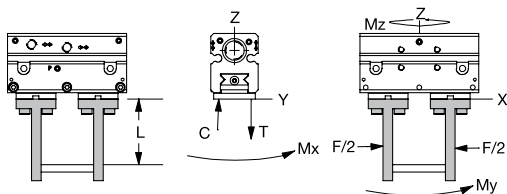
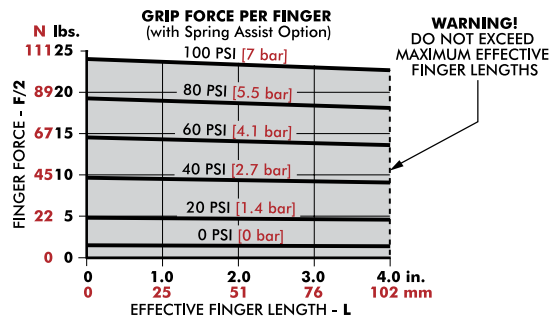
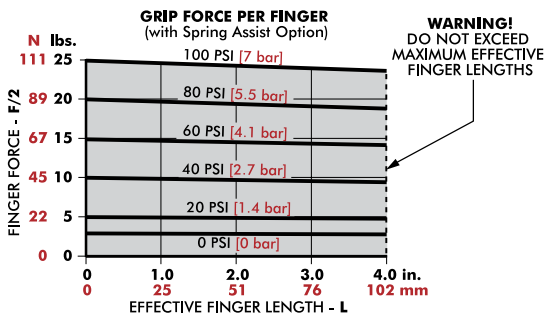


Seal Repair Kits	14M
Buna-N Seal Repair Kit	SLKT-344
Viton® Seal Repair Kit	SLKT-344V
Manifold Seal Kit (Viton® only)	SLKT-241V

Model	A	B	C	D	E	F	G	H	J
DPP-14M-15	90.2 [3.550]	63 [2.47]	79 [3.10]	16.0 [0.630]	8.0 [0.315]	28 [1.102]	16.00 [0.6300]	45.1 [1.775]	32.4 [1.275]
DPP-14M-25	118.7 [4.675]	82 [3.23]	107 [4.23]	11.0 [0.433]	5.5 [0.217]	37.5 [1.476]	11.00 [0.4330]	59.4 [2.338]	46.7 [1.838]

Dimensions in mm [in]

Loading Information



DPP-14M-15	Static	Dynamic
Maximum Tensile T	556 N [125 lbs]	187 N [42 lbs]
Maximum Compressive C	556 N [125 lbs]	187 N [42 lbs]
Maximum Moment M_x	9.0 Nm [80 in-lbs]	3.1 Nm [27 in-lbs]
Maximum Moment M_y	12 Nm [105 in-lbs]	4.0 Nm [35 in-lbs]
Maximum Moment M_z	9.0 Nm [80 in-lbs]	3.1 Nm [27 in-lbs]

*Capacities are per set of jaws and are not simultaneous

DPP-14M-25	Static	Dynamic
Maximum Tensile T	734 N [165 lbs]	245 N [55 lbs]
Maximum Compressive C	734 N [165 lbs]	245 N [55 lbs]
Maximum Moment M_x	11 Nm [100 in-lbs]	3.7 Nm [33 in-lbs]
Maximum Moment M_y	14 Nm [125 in-lbs]	4.7 Nm [42 in-lbs]
Maximum Moment M_z	11 Nm [100 in-lbs]	3.7 Nm [33 in-lbs]

*Capacities are per set of jaws and are not simultaneous

Dimensions and technical information are subject to change without notice

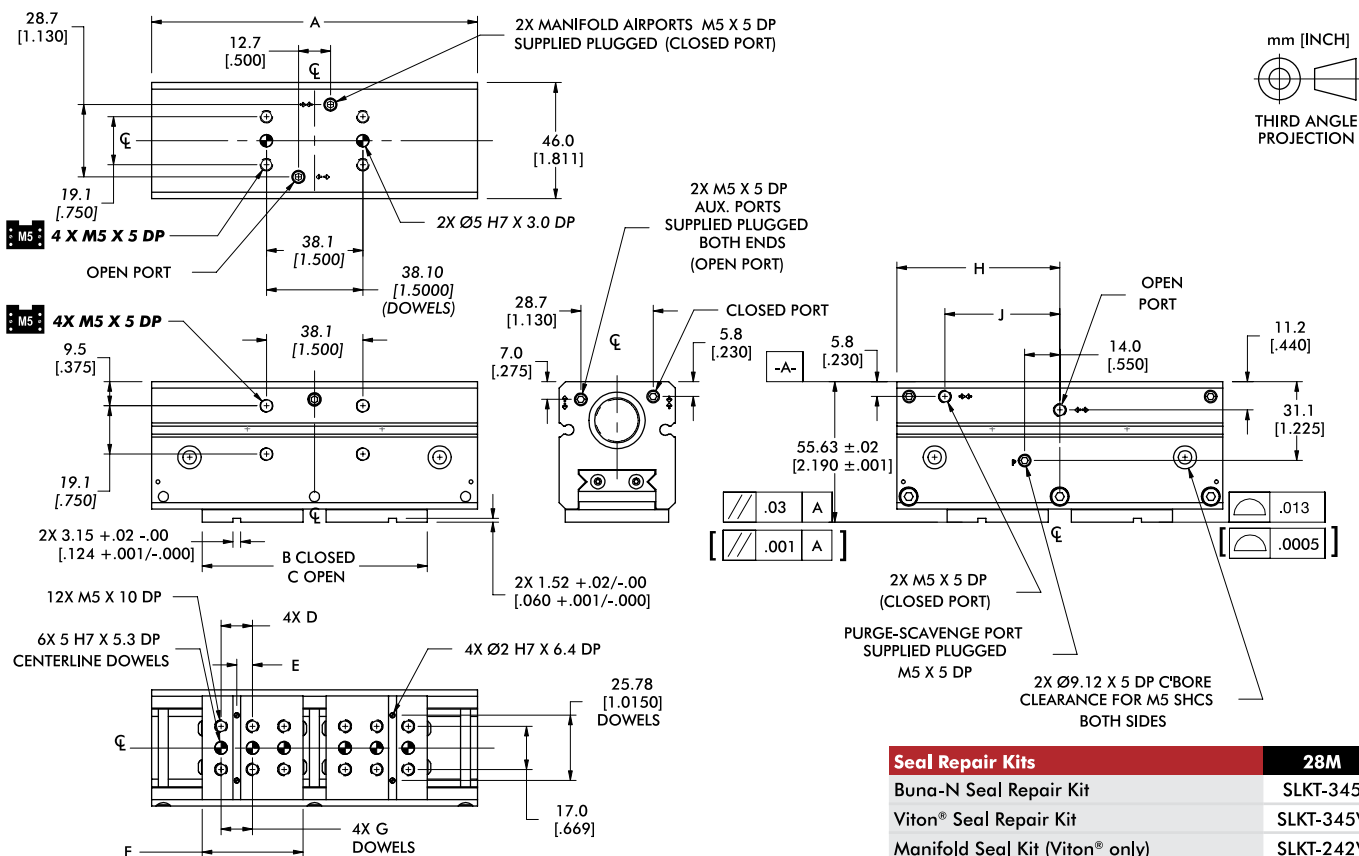
GR-PRC-34



DPP-20M-25, 20M-38



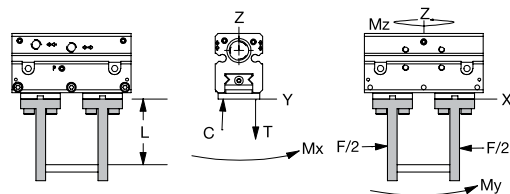
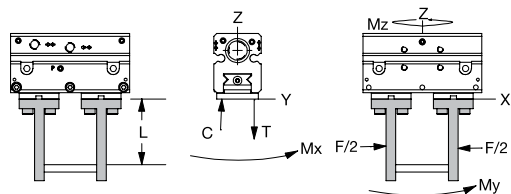
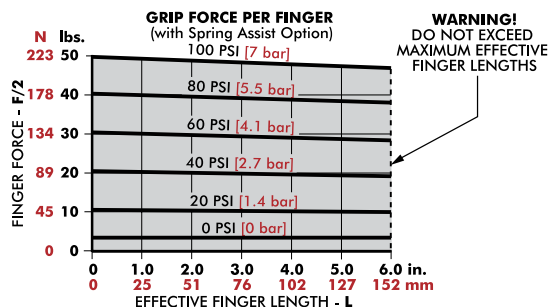
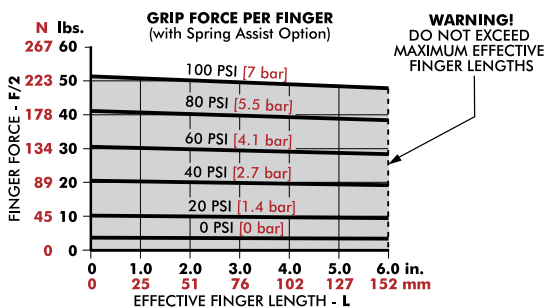
2-Jaw Precision Parallel Grippers | Dimensions and Technical Specifications



Model	A	B	C	D	E	F	G	H	J
DPP-20M-25	129.0 [5.080]	89 [3.51]	115 [4.51]	12.5 [0.492]	6.2 [0.246]	40.0 [1.575]	12.50 [0.4920]	64.5 [2.540]	45.5 [1.790]
DPP-20M-38	175.5 [6.910]	123 [4.85]	161 [6.35]	16.0 [0.630]	8.0 [0.315]	58.0 [2.283]	16.00 [0.6300]	87.8 [3.455]	68.7 [2.705]

Dimensions in mm [in]

Loading Information



	Static	Dynamic
Maximum Tensile T	667 N [150 lbs]	222 N [50 lbs]
Maximum Compressive C	667 N [150 lbs]	222 N [50 lbs]
Maximum Moment M_x	34 Nm [300 in-lbs]	11 Nm [100 in-lbs]
Maximum Moment M_y	40 Nm [350 in-lbs]	13 Nm [117 in-lbs]
Maximum Moment M_x	34 Nm [300 in-lbs]	11 Nm [100 in-lbs]

	Static	Dynamic
Maximum Tensile T	890 N [200 lbs]	298 N [67 lbs]
Maximum Compressive C	890 N [200 lbs]	298 N [67 lbs]
Maximum Moment M_x	45 Nm [400 in-lbs]	15 Nm [133 in-lbs]
Maximum Moment M_y	51 Nm [450 in-lbs]	17 Nm [150 in-lbs]
Maximum Moment M_x	45 Nm [400 in-lbs]	15 Nm [133 in-lbs]

*Capacities are per set of jaws and are not simultaneous

*Capacities are per set of jaws and are not simultaneous



GR-PRC-35

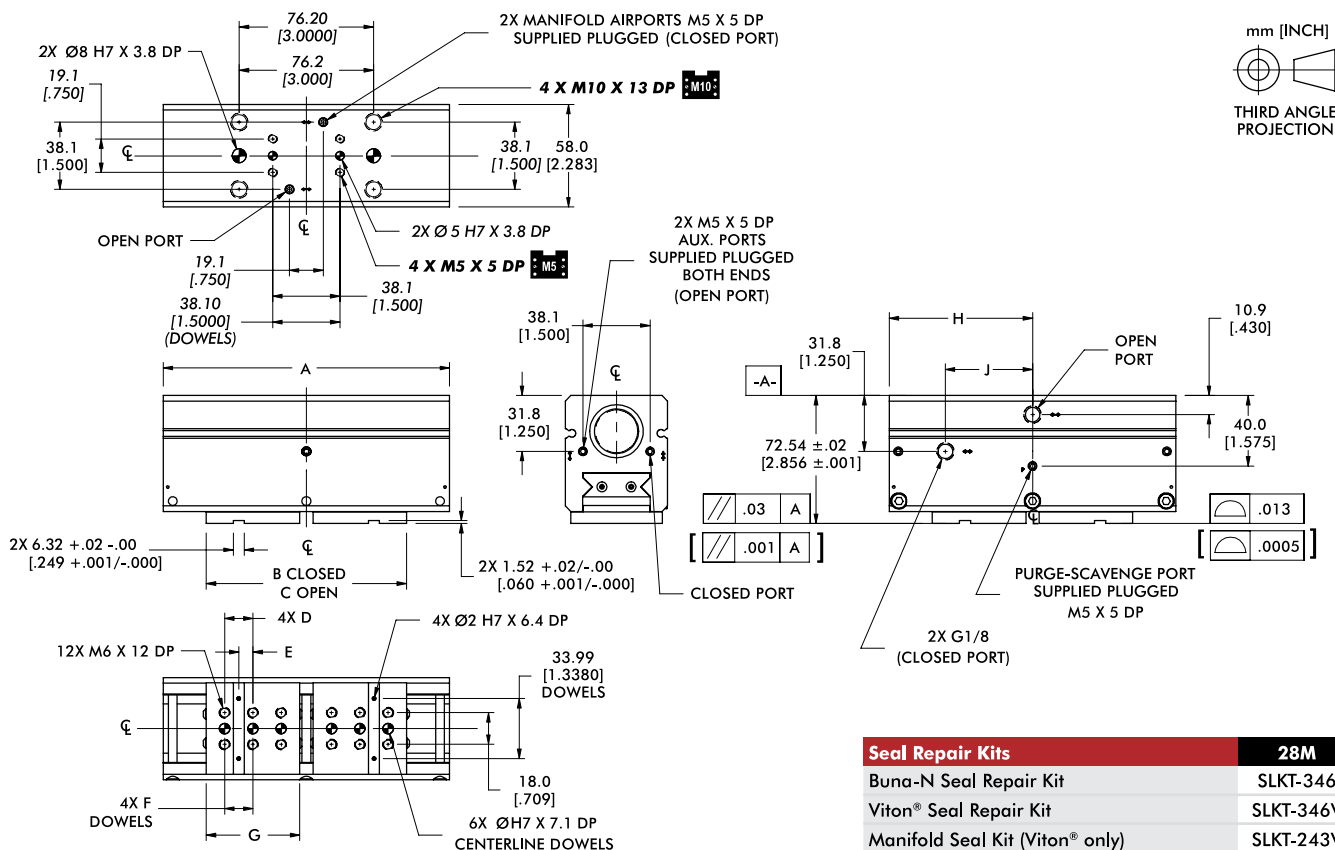
Dimensions and technical information are subject to change without notice

DIRECTCONNECT™

M5 M10

DPP-28M-31, 28M-50

2-Jaw Precision Parallel Grippers | Dimensions and Technical Specifications



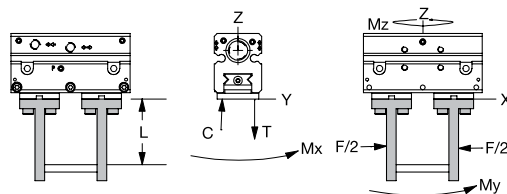
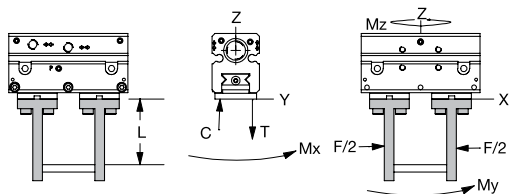
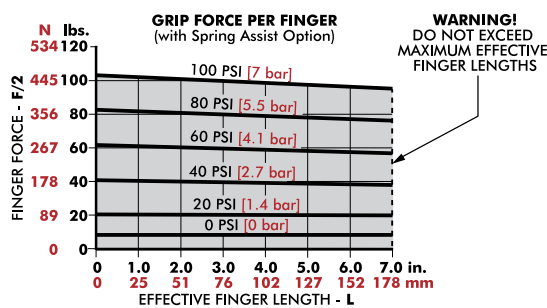
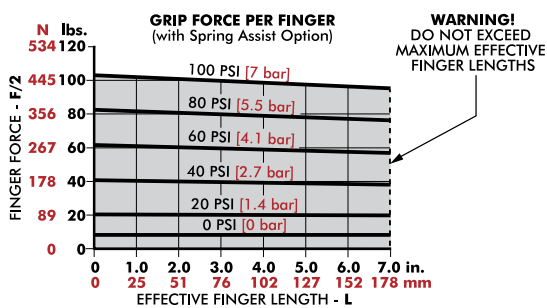
mm [INCH]
THIRD ANGLE PROJECTION

Seal Repair Kits	28M
Buna-N Seal Repair Kit	SLKT-346
Viton® Seal Repair Kit	SLKT-346V
Manifold Seal Kit (Viton® only)	SLKT-243V

Model	A	B	C	D	E	F	G	H	J
DPP-28M-31	162.3 [6.390]	114 [4.47]	145 [5.72]	16.0 [0.630]	8.0 [0.315]	16.00 [0.6300]	53.0 [2.087]	81.2 [3.195]	49.4 [1.945]
DPP-28M-50	221.5 [8.720]	153 [6.04]	204 [8.04]	25.0 [0.984]	12.5 [0.492]	25.00 [0.9840]	73.0 [2.874]	110.7 [4.360]	79.0 [3.110]

Dimensions in mm [in]

Loading Information



DPP-28M-31	Static	Dynamic
Maximum Tensile T	1001 N [225 lbs]	334 N [75 lbs]
Maximum Compressive C	1001 N [225 lbs]	334 N [75 lbs]
Maximum Moment M_x	64 Nm [570 in-lbs]	21 Nm [190 in-lbs]
Maximum Moment M_y	77 Nm [685 in-lbs]	26 Nm [228 in-lbs]
Maximum Moment M_x	64 Nm [570 in-lbs]	21 Nm [190 in-lbs]

*Capacities are per set of jaws and are not simultaneous

DPP-28M-50	Static	Dynamic
Maximum Tensile T	1379 N [310 lbs]	458 N [103 lbs]
Maximum Compressive C	1379 N [310 lbs]	458 N [103 lbs]
Maximum Moment M_x	89 Nm [785 in-lbs]	30 Nm [262 in-lbs]
Maximum Moment M_y	106 Nm [940 in-lbs]	35 Nm [313 in-lbs]
Maximum Moment M_x	89 Nm [785 in-lbs]	30 Nm [262 in-lbs]

*Capacities are per set of jaws and are not simultaneous

Dimensions and technical information are subject to change without notice

GR-PRC-36



RP-P SERIES

2-Jaw Precision Parallel Grippers | Features and Benefits | How To Order

Features:

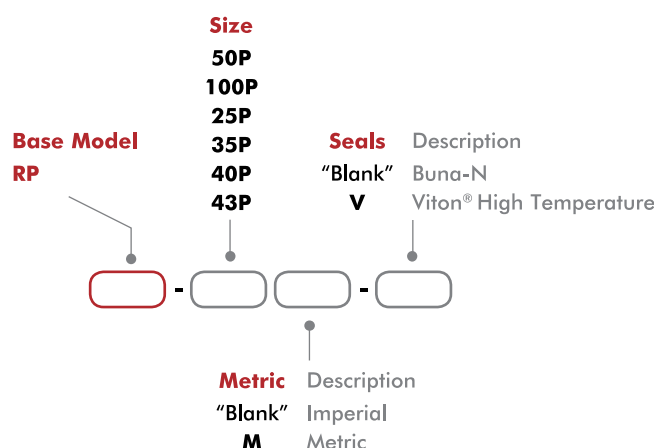
- Precision gripper with excellent part position repeatability
- Rack and pinion design for precise jaw synchronization
- Low friction and smooth operation with Dual-V roller bearings
- Maintenance free lubricated cylinder and drive mechanism
- Zero side play and maximum jaw support with preloaded bearings
- Supports up to two sensing positions

Applications:

- Delicate part handling applications
- Highly repeatable and precise gripping
- Clean application environments



How To Order



Accessories

Sensor Accessories	Model Numbers	Part Number	Qty/Unit
3mm NPN Inductive Sensor with Quick Disconnect*	RP-50P	OISN-019	1-2
3mm PNP Inductive Sensor with Quick Disconnect*	RP-50P	OISP-019	1-2
3mm NPN Inductive Sensor with Quick Disconnect*	RP-100P, -25P, RP-50P, -110P, -25P	OISN-014	1-2
3mm PNP Inductive Sensor with Quick Disconnect*	RP-100P, -25P, RP-50P, -110P, -25P	OISP-014	1-2
Inductive Sensor Mounting Kit for (mounts 2 sensors)	See Datasheet		1
Quick Disconnect 2 Meter Cable Length*	All Models	CABL-010	1-2
Quick Disconnect 5 Meter Cable Length*	All Models	CABL-013	1-2

Pneumatic Accessories	Model Numbers	Part Number	Qty/Unit
Fail Safe Valve (Imperial)	RP-50P, -110P, -25P	OFSV-001	1
Fail Safe Valve (Metric)	RP-50P, -110P, -25P	OFSV-004	1
Fail Safe Valve (Imperial)	RP-35P, -40P, -43P	OFSV-002	1
Fail Safe Valve (Metric)	RP-50P, -110P, -25P	OFSV-005	1
Stroke Limited Opening Valve (LTD)	RP-35P, -40P, -43P	OLDT-001	1
Stroke Limited Opening Valve (LTD)	RP-50P, -110P, -25P	OLDT-002	1

*Sensor and cable sold separately.



GR-PRC-37

Dimensions and technical information are subject to change without notice

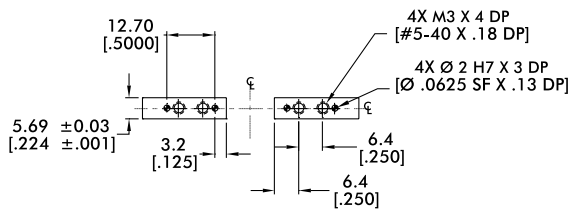
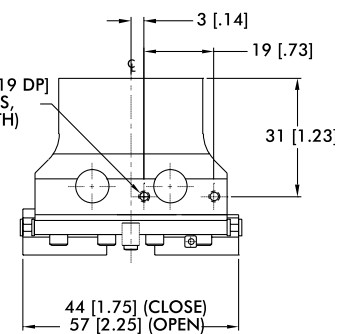
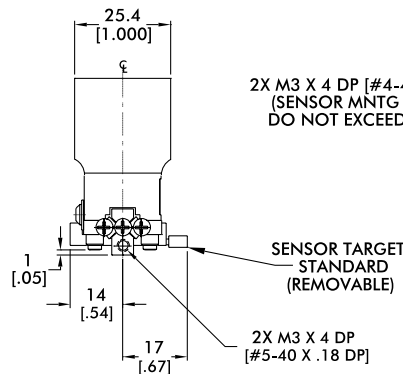
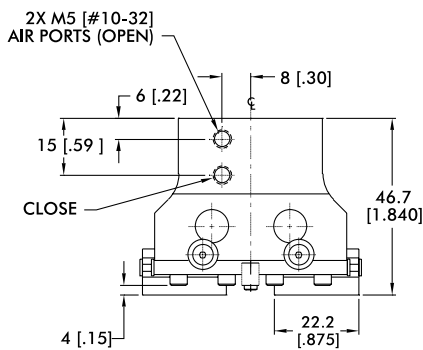
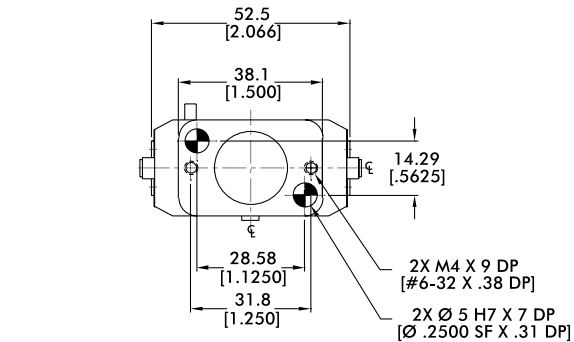
RP-P SERIES

2-Jaw Precision Parallel Grippers | Technical Specifications

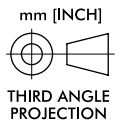
Specifications	Units	50P	100P	25P	35P	40P	43P
Total Rated Grip Force F @ 100 psi [7 bar]	N [lb]	107 [24]	160 [36]	356 [80]	778 [175]	890 [200]	2224 [500]
Total Stroke	mm [in]	12.7 [0.50]	25.4 [1.00]	28.7 [1.13]	25.4 [1.00]	50.8 [2.00]	76.2 [3.00]
Weight	kg [lbs]	0.14 [0.31]	0.23 [0.50]	0.45 [1.0]	1.6 [3.5]	2.7 [6.0]	7.3 [16]
Pressure Range	bar [psi]	0.3-7 [5-100]					
Ingress Protection Class (IP)		IP 33					
Displacement	cm ³ [in ³]	1.64 [0.100]	3.6 [0.220]	8.2 [0.500]	17.0 [1.036]	28.0 [1.710]	120.6 [7.360]
Temperature Range (Buna-N seals)	°C [°F]	-35°~80° [-30°~180°]					
Temperature Range (Viton® seals)	°C [°F]	-30°~120° [-20°~250°]					
Actuation (open/close)	sec	0.14	0.18	0.20	0.33	0.39	0.59
Accuracy	mm [in]	±0.03 [±0.001]				±0.05 [±0.002]	
Repeatability	mm [in]	±0.01 [±0.0005]				±0.03 [±0.001]	
Valve to Actuate Double Acting		4-way, 2-position					

RP-50P

2-Jaw Precision Parallel Grippers | Dimensions and Technical Specifications

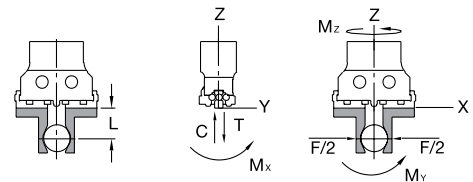
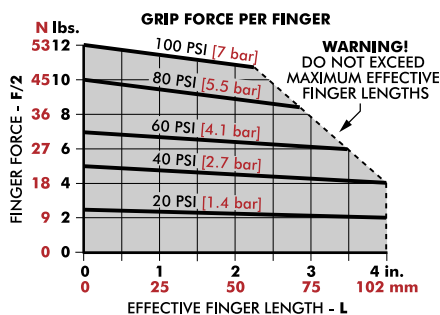


(JAW MOUNTING PATTERN SHOWN IN OPEN POSITION)



Sensor Accessories	RP-50P
Inductive Sensor Mounting Kit for (mounts 2 sensors)	OSMK-003
Seal Repair Kits	RP-50P
Buna-N Seal Repair Kit	SLKT-053
Viton® Seal Repair Kit	SLKT-053V

Loading Information



RP-50P	Static	Dynamic
Maximum Tensile T	222 N [50 lbs]	67 N [15 lbs]
Maximum Compressive C	222 N [50 lbs]	67 N [15 lbs]
Maximum Moment M_x	6 Nm [50 in-lbs]	1 Nm [12 in-lbs]
Maximum Moment M_y	7 Nm [60 in-lbs]	2 Nm [15 in-lbs]
Maximum Moment M_z	6 Nm [50 in-lbs]	1 Nm [12 in-lbs]

*Capacities are per set of jaws and are not simultaneous

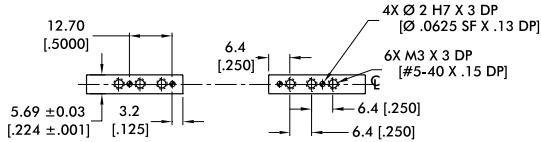
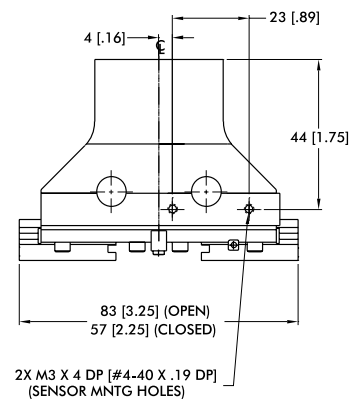
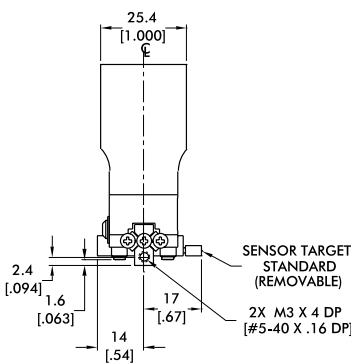
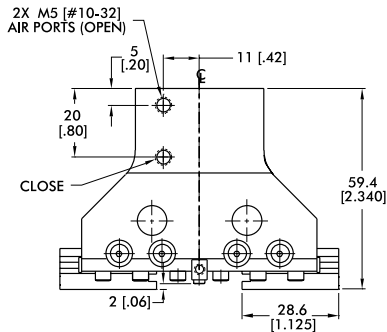
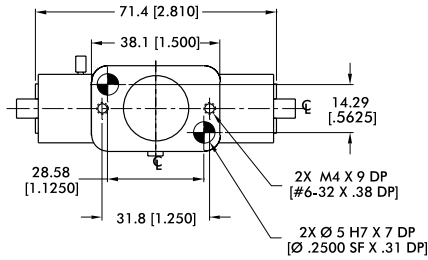


GR-PRC-39

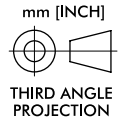
Dimensions and technical information are subject to change without notice

RP-100P

2-Jaw Precision Parallel Grippers | Dimensions and Technical Specifications

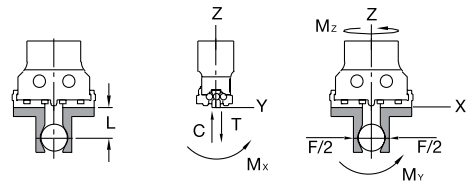
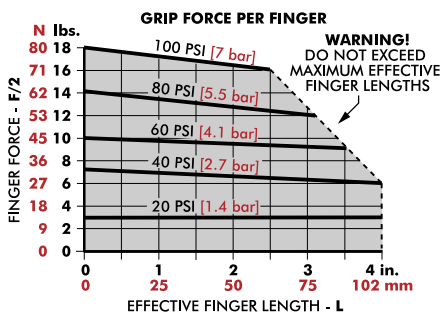


JAW MOUNTING PATTERN (SHOWN IN OPEN POSITION)



Sensor Accessories	RP-100P
Inductive Sensor Mounting Kit for (mounts 2 sensors)	OSMK-004
Seal Repair Kits	RP-50P
Buna-N Seal Repair Kit	SLKT-037
Viton® Seal Repair Kit	SLKT-037V

Loading Information



RP-100P	Static	Dynamic
Maximum Tensile T	267 N [60 lb]	89 N [20 lb]
Maximum Compressive C	267 N [60 lb]	89 N [20 lb]
Maximum Moment M_x	11 Nm [100 in-lb]	3 Nm [25 in-lb]
Maximum Moment M_y	14 Nm [120 in-lb]	3 Nm [30 in-lb]
Maximum Moment M_x	11 Nm [100 in-lb]	3 Nm [25 in-lb]

*Capacities are per set of jaws and are not simultaneous

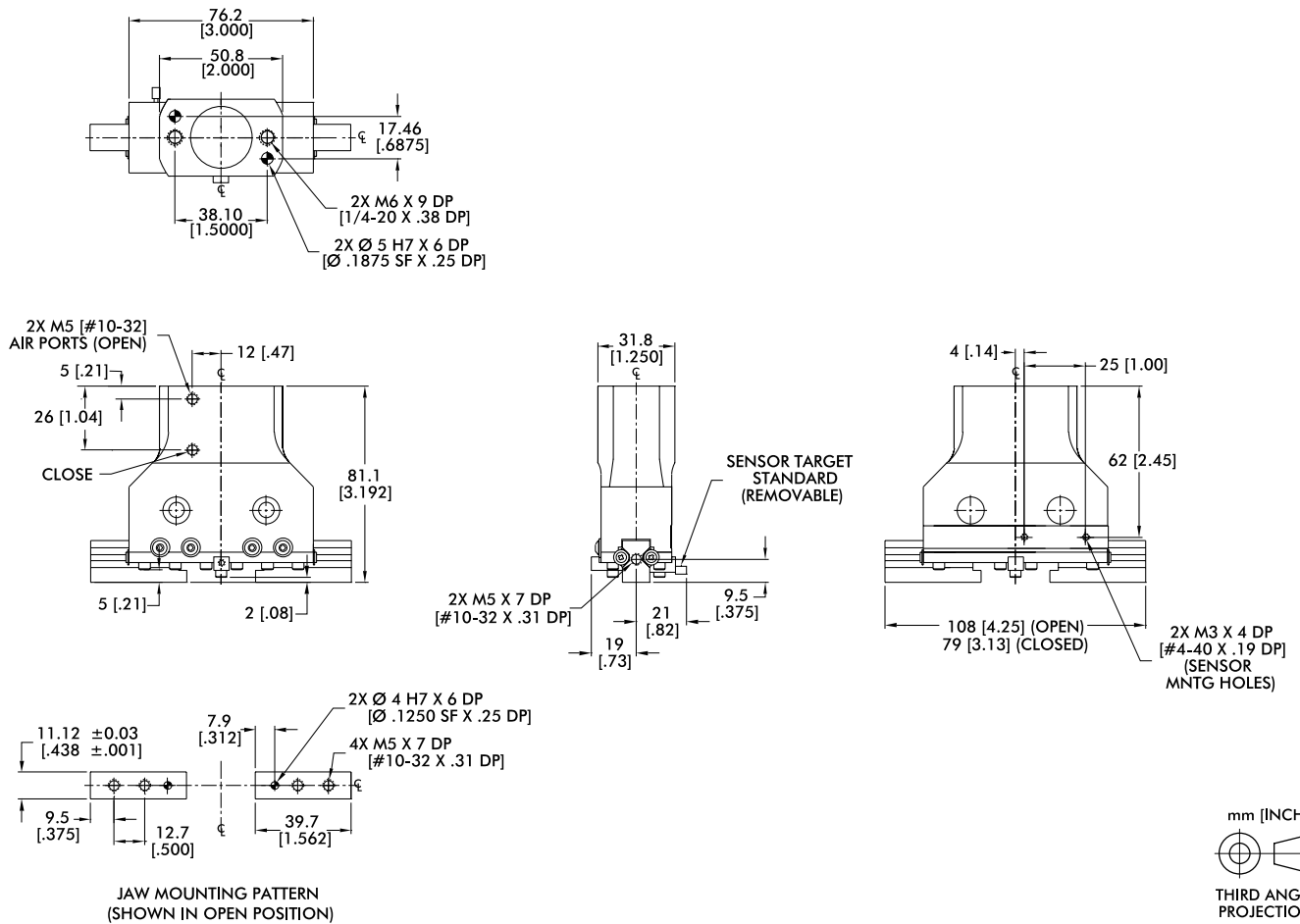
Dimensions and technical information are subject to change without notice

GR-PRC-40



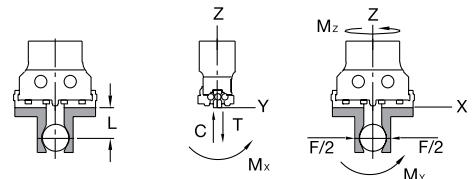
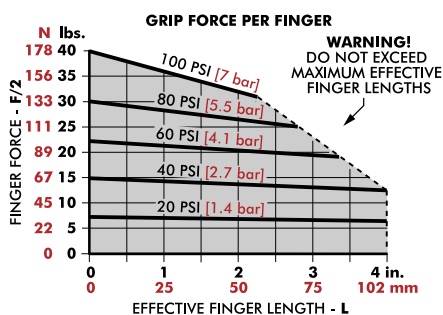
RP-25P

2-Jaw Precision Parallel Grippers | Dimensions and Technical Specifications



Sensor Accessories	RP-25P
Inductive Sensor Mounting Kit for (mounts 2 sensors)	OSMK-004
Seal Repair Kits	RP-25P
Buna-N Seal Repair Kit	SLKT-046
Viton® Seal Repair Kit	SLKT-046V

Loading Information



RP-25P	Static	Dynamic
Maximum Tensile T	445 N [100 lbs]	133 N [30 lbs]
Maximum Compressive C	445 N [100 lbs]	133 N [30 lbs]
Maximum Moment M_x	23 Nm [200 in-lbs]	6 Nm [50 in-lb]
Maximum Moment M_y	28 Nm [250 in-lbs]	7 Nm [60 in-lbs]
Maximum Moment M_x	23 Nm [200 in-lbs]	6 Nm [50 in-lbs]

*Capacities are per set of jaws and are not simultaneous

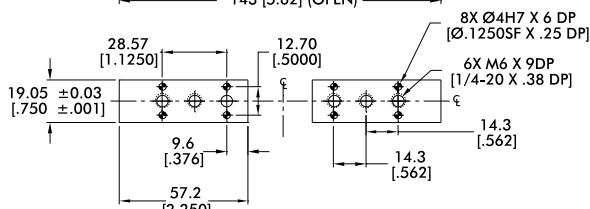
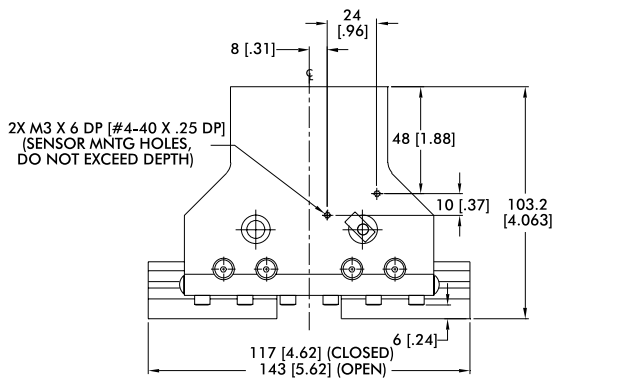
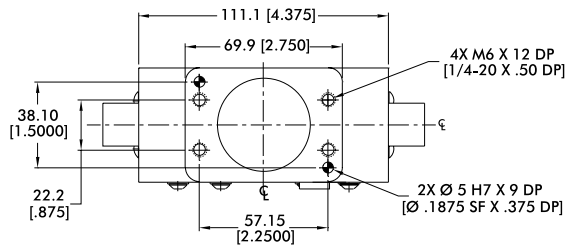


GR-PRC-41

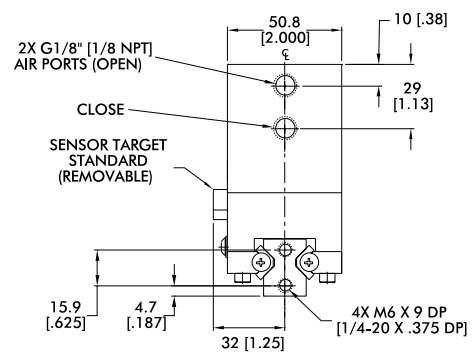
Dimensions and technical information are subject to change without notice

RP-35P

2-Jaw Precision Parallel Grippers | Dimensions and Technical Specifications

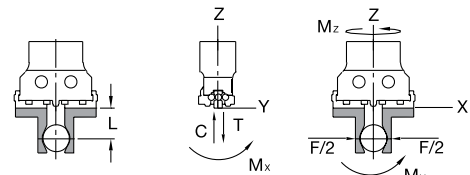
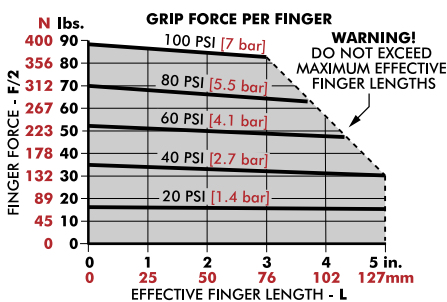


JAW MOUNTING PATTERN (SHOWN IN OPEN POSITION)



Sensor Accessories	RP-35P
Inductive Sensor Mounting Kit for (mounts 2 sensors)	OSMK-023
Seal Repair Kits	RP-35P
Buna-N Seal Repair Kit	SLKT-049
Viton® Seal Repair Kit	SLKT-049V

Loading Information

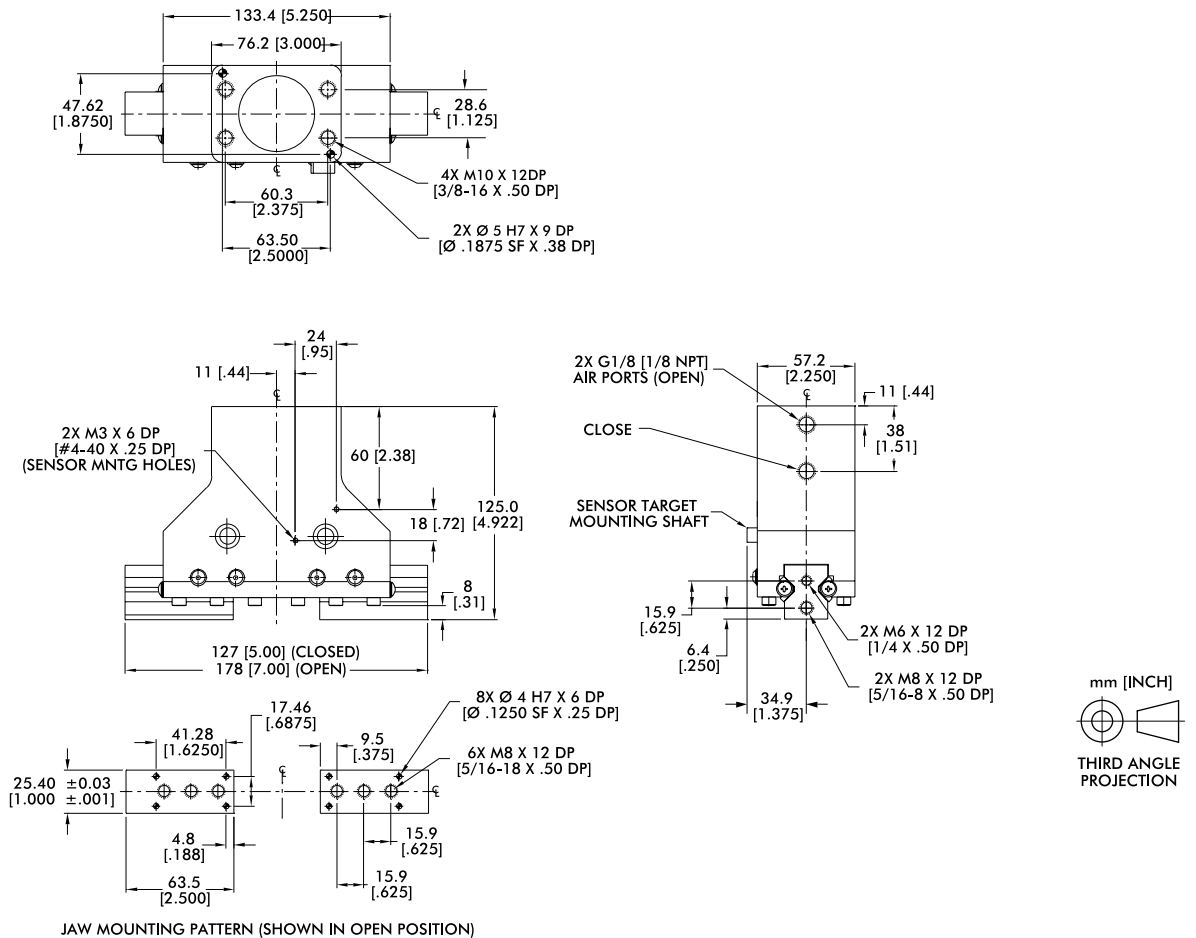


RP-35P	Static	Dynamic
Maximum Tensile T	890 N [200 lb]	334 N [75 lb]
Maximum Compressive C	890 N [200 lb]	334 N [75 lb]
Maximum Moment M_x	57 Nm [500 in-lb]	14 Nm [125 in-lb]
Maximum Moment M_y	68 Nm [600 in-lb]	17 Nm [150 in-lb]
Maximum Moment M_z	57 Nm [500 in-lb]	14 Nm [125 in-lb]

*Capacities are per set of jaws and are not simultaneous

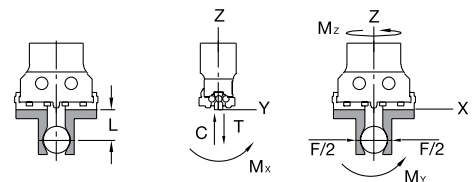
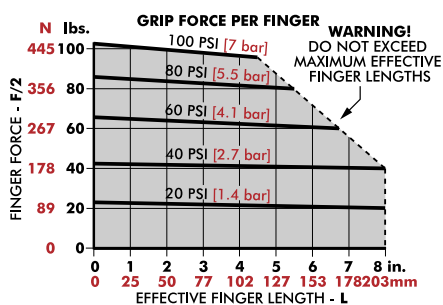
RP-40P

2-Jaw Precision Parallel Grippers | Dimensions and Technical Specifications



Sensor Accessories	RP-40P
Inductive Sensor Mounting Kit for (mounts 2 sensors)	OSMK-023
Seal Repair Kits	RP-40P
Buna-N Seal Repair Kit	SLKT-050
Viton® Seal Repair Kit	SLKT-050V

Loading Information



RP-40P	Static	Dynamic
Maximum Tensile T	1779 N [400 lb]	667 N [150 lb]
Maximum Compressive C	1779 N [400 lb]	667 N [150 lb]
Maximum Moment M_x	113 Nm [1000 in-lb]	28 Nm [250 in-lb]
Maximum Moment M_y	136 Nm [1200 in-lb]	34 Nm [300 in-lb]
Maximum Moment M_x	113 Nm [1000 in-lb]	28 Nm [250 in-lb]

*Capacities are per set of jaws and are not simultaneous

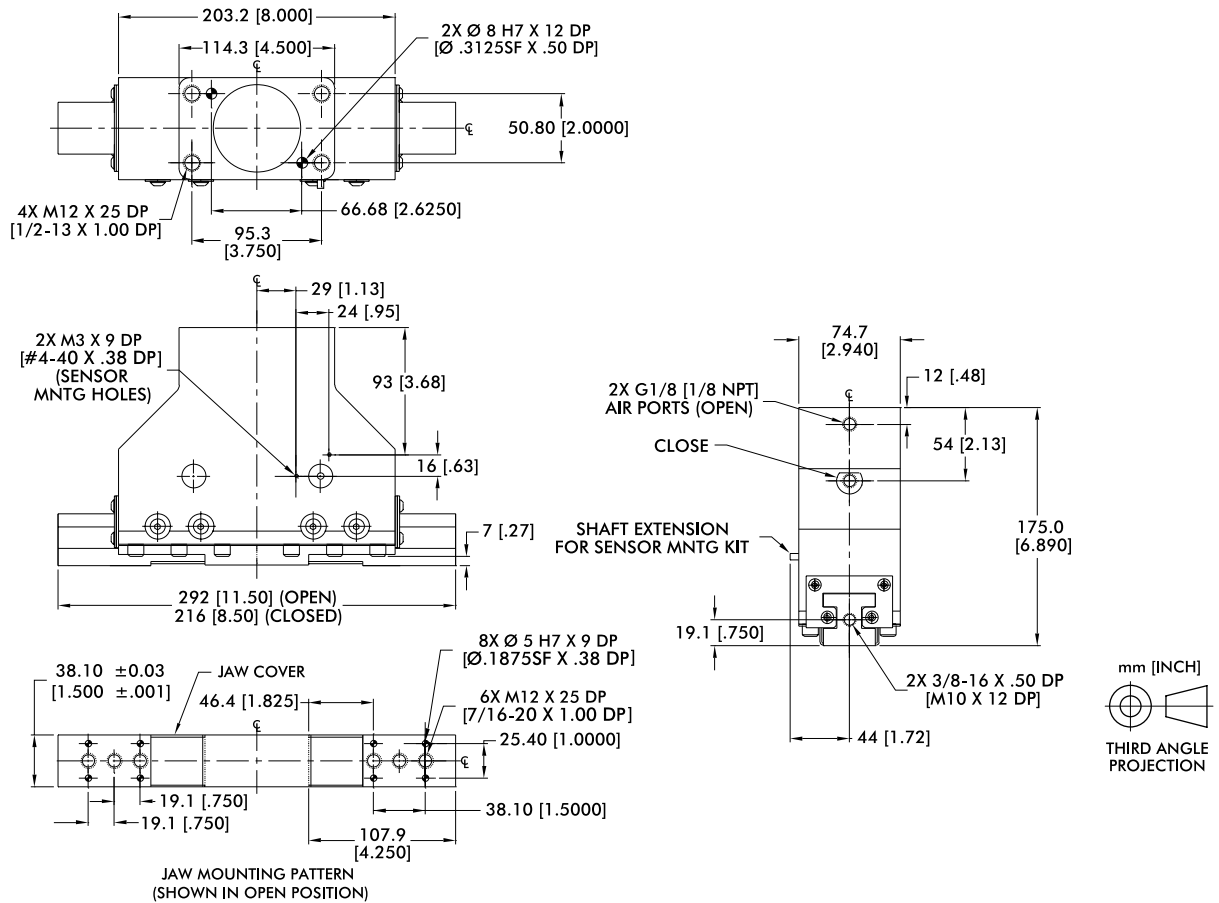


GR-PRC-43

Dimensions and technical information are subject to change without notice

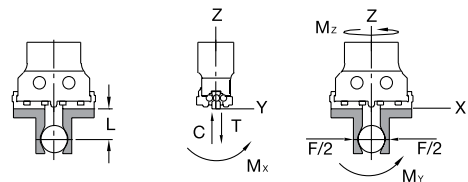
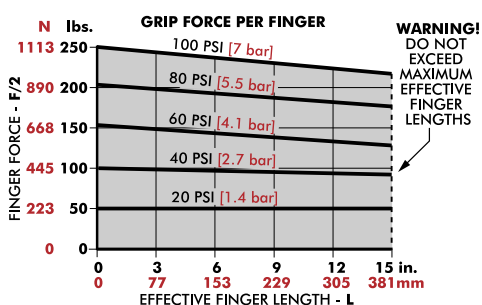
RP-43P

2-Jaw Precision Parallel Grippers | Dimensions and Technical Specifications



Sensor Accessories	RP-43P
Inductive Sensor Mounting Kit for (mounts 2 sensors)	OSMK-033
Seal Repair Kits	RP-43P
Buna-N Seal Repair Kit	SLKT-051
Viton® Seal Repair Kit	SLKT-051V

Loading Information



RP-43P	Static	Dynamic
Maximum Tensile T	4448 N [1000 lb]	1557 N [350 lb]
Maximum Compressive C	4448 N [1000 lb]	1557 N [350 lb]
Maximum Moment M_x	283 Nm [2500 in-lb]	57 Nm [500 in-lb]
Maximum Moment M_y	339 Nm [3000 in-lb]	68 Nm [600 in-lb]
Maximum Moment M_x	283 Nm [2500 in-lb]	57 Nm [500 in-lb]

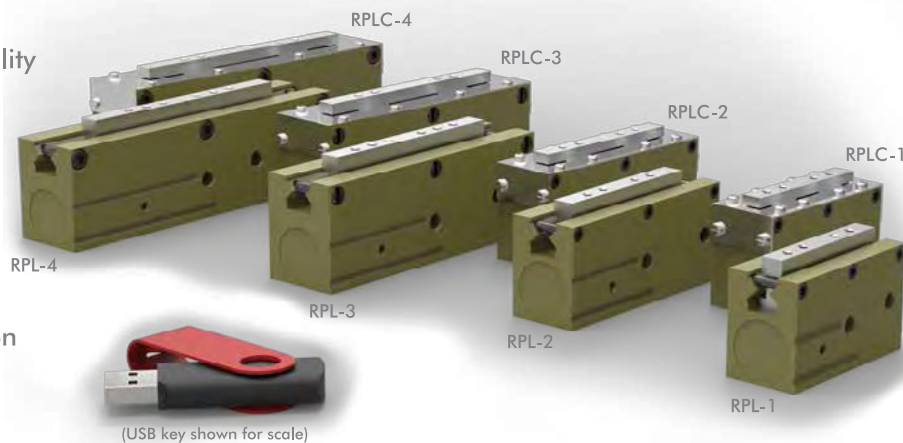
[†]Capacities are per set of jaws and are not simultaneous

RPL/RPLC SERIES

2-Jaw Precision Parallel Grippers | Features and Benefits | How To Order

Features:

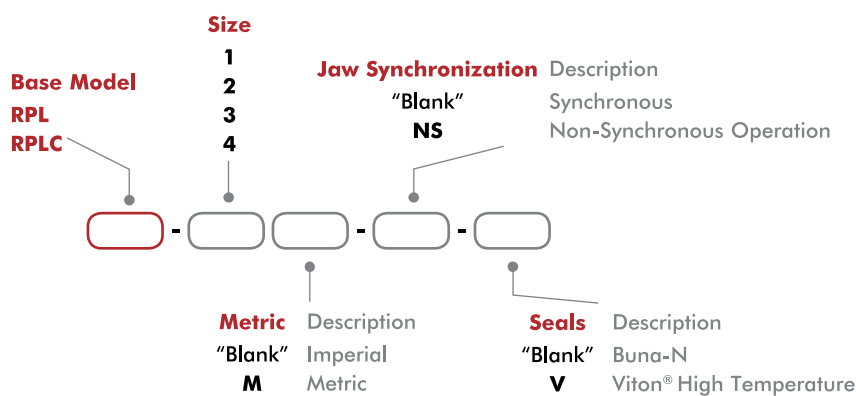
- Excellent part positioning and repeatability
- Zero side play using low friction Dual-V roller bearings
- Class 10 rated clean-room (RPLC) fits life Sciences applications
- Low friction for operation in low pressure applications, corrosion resistant design (RPLC)
- Optional non-synchronous jaw operation
- 30°C to +150°C [-20°F to +300°F] operating environment using Viton® seals option
- Purge port (RPLC) to prevent contaminants entering gripper
- Scavenge port (RPLC) prevents gripper grease from contaminating working environment



Applications:

- Clean room and harsh environments (RPLC)
- Delicate part handling with valve controls
- Long gripper finger requirements with precision
- High temperature applications using Viton® seals

How To Order



Accessories

Sensor Accessories	Model Numbers	Part Number	Qty/Unit
Sensor Mounting Kit for Imperial & Metric Units (mounts 2 sensors)	All Models	OSMK-008	1
NPN Magneto Resistive Sensor with Quick Disconnect*	All Models	OHSN-017	1-2
PNP Magneto Resistive Sensor with Quick Disconnect*	All Models	OHSP-017	1-2
Quick Disconnect 2 Meter Cable Length*	All Models	CABL-010	1-2
Quick Disconnect 5 Meter Cable Length*	All Models	CABL-013	1-2

Pneumatic Accessories	Model Numbers	Part Number	Qty/Unit
Fail Safe Valve (Imperial)	All Models	OFSV-001	1
Fail Safe Valve (Metric)	All Models	OFSV-004	1

*Sensor and cable sold separately.



GR-PRC-45

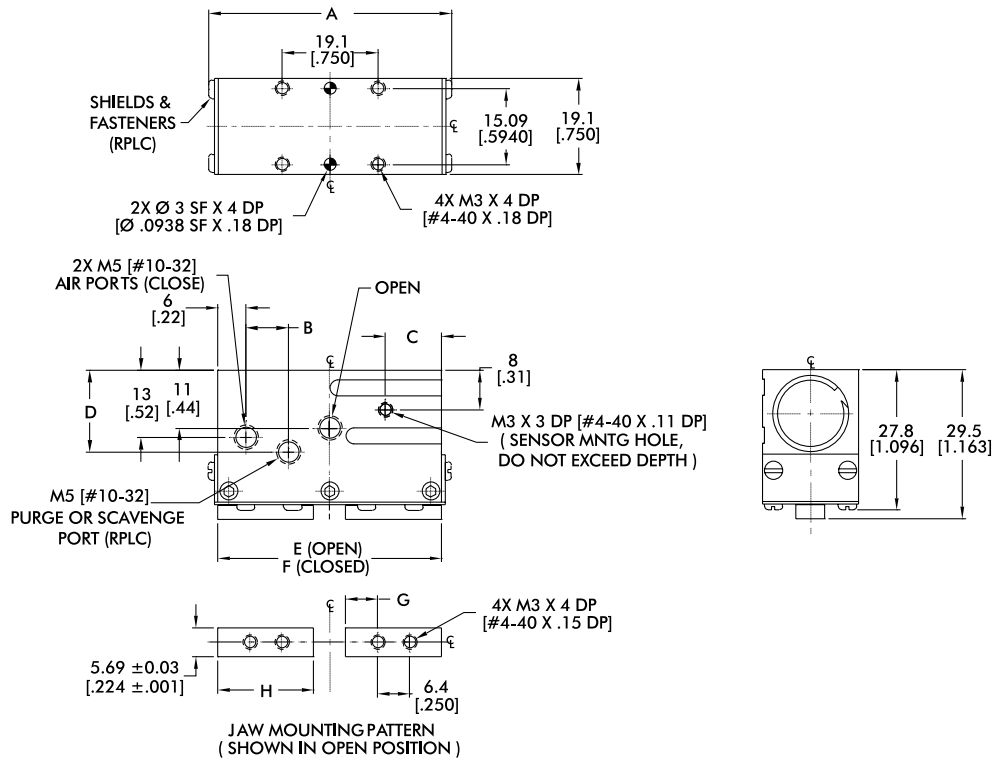
Dimensions and technical information are subject to change without notice

RPL/RPLC SERIES**2-Jaw Precision Parallel Grippers | Technical Specifications**

Specifications	Units	1	2	3	4
Total Rated Grip Force F @ 100 psi [7 bar]	N [lb]	116 [26]		160 [36]	
Total Stroke	mm [in]	6.4 [0.25]	12.7 [0.50]	19.1 [0.75]	25.4 [1.00]
Weight	kg [lbs]	0.07 [0.16]	0.09 [0.20]	0.15 [0.32]	0.17 [0.38]
Pressure Range	bar [psi]	0.3-7 [5-100]			
Ingress Protection Class (IP)		IP 33 (RPL) / IP64 (RPLC)			
Displacement	cm ³ [in ³]	0.6 [0.038]	1.2 [0.075]	2.4 [0.147]	3.2 [0.196]
Temperature Range (Buna-N seals)	°C [°F]	-35°~80° C [-30°~180° F]			
Temperature Range (Viton® seals)	°C [°F]	-30°~120° C [-20°~250° F]			
Actuation (open/close)	sec	0.10	0.13	0.14	0.19
Accuracy	mm [in]	±0.05 [±0.002]			
Repeatability	mm [in]	±0.03 [±0.001]			
Valve to Actuate		4-way, 2-position			

RPL/RPLC-1, RPL/RPLC-2

2-Jaw Precision Parallel Grippers | Dimensions and Technical Specifications



mm [INCH]



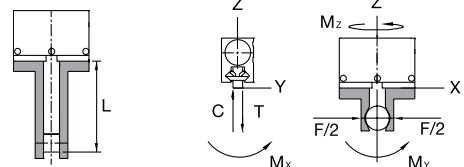
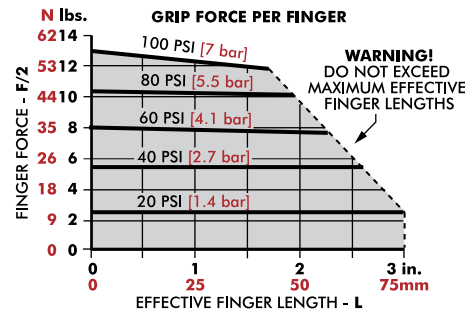
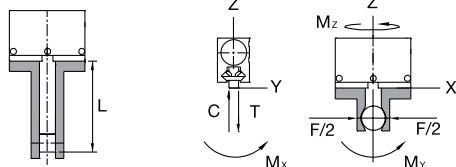
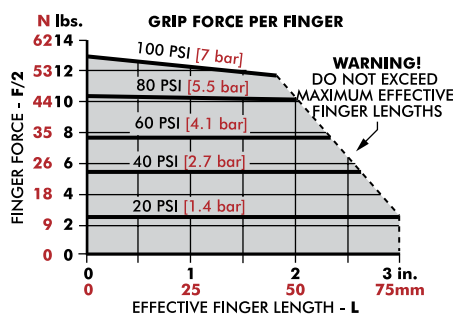
Model	A	B	C	D	E	F	G	H
RPL-1	44.5 [1.750]	--	11 [0.45]	--	44 [1.75]	38 [1.50]	6.4 [0.250]	19.1 [0.750]
RPL-2	59.5 [2.344]	--	16 [0.62]	--	57 [2.25]	44 [1.75]	6.4 [0.250]	22.2 [0.875]

Model	A	B	C	D	E	F	G	H
RPLC-1	48.3 [1.900]	8 [0.33]	11 [0.44]	17.3 [0.68]	44 [1.75]	38 [1.50]	6.4 [0.250]	19.1 [0.750]
RPLC-2	62.9 [2.476]	13 [0.50]	16 [0.62]	17.3 [0.68]	59 [2.33]	46 [1.83]	8.3 [0.328]	23.2 [0.913]

Dimensions in mm [in]

Seal Repair Kits	1, 2
Buna-N Seal Repair Kit	SLKT-010
Viton® Seal Repair Kit	SLKT-010V

Loading Information



	RPL-1	Static	Dynamic
Maximum Tensile T		222 N [50 lbs]	67 N [15 lbs]
Maximum Compressive C		222 N [50 lbs]	67 N [15 lbs]
Maximum Moment M_x		3.4 Nm [30 in-lbs]	1.1 Nm [10 in-lbs]
Maximum Moment M_y		4.5 Nm [40 in-lbs]	1.4 Nm [12 in-lbs]
Maximum Moment M_z		3.4 Nm [30 in-lbs]	1.1 Nm [10 in-lbs]

*Capacities are per set of jaws and are not simultaneous

	RPL-2	Static	Dynamic
Maximum Tensile T		289 N [65 lbs]	89 N [20 lbs]
Maximum Compressive C		289 N [65 lbs]	89 N [20 lbs]
Maximum Moment M_x		5.1 Nm [45 in-lbs]	1.7 Nm [15 in-lbs]
Maximum Moment M_y		6.8 Nm [60 in-lbs]	2.3 Nm [20 in-lbs]
Maximum Moment M_z		5.1 Nm [45 in-lbs]	1.7 Nm [15 in-lbs]

*Capacities are per set of jaws and are not simultaneous

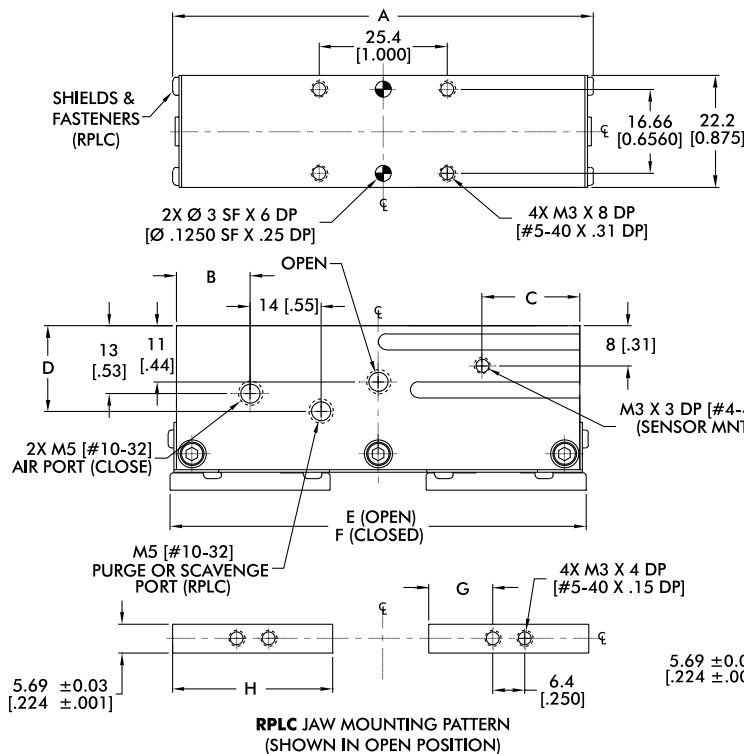


GR-PRC-47

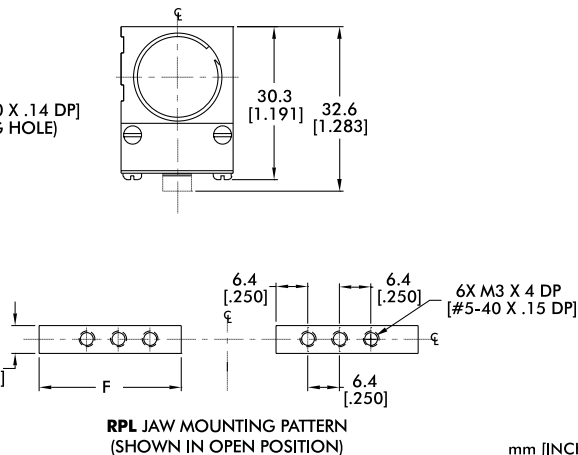
Dimensions and technical information are subject to change without notice

RPL/RPLC-3, RPL/RPLC-4

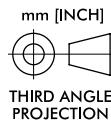
2-Jaw Precision Parallel Grippers | Dimensions and Technical Specifications



RPLC JAW MOUNTING PATTERN (SHOWN IN OPEN POSITION)



RPL JAW MOUNTING PATTERN (SHOWN IN OPEN POSITION)



THIRD ANGLE PROJECTION

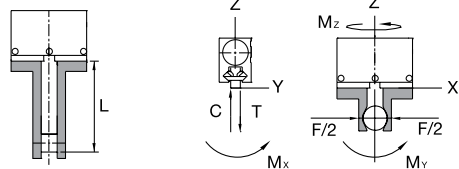
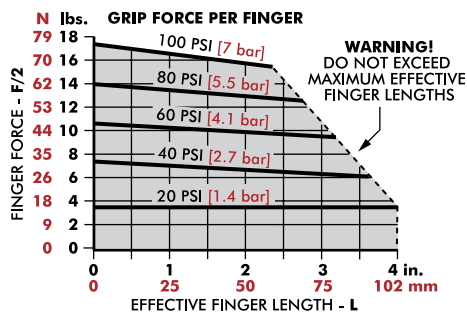
Model	A	B	C	D	E	F	G	H
RPL-3	80 [3.150]	15 [0.58]	19 [0.76]	--	76 [3.00]	57 [2.25]	--	28.6 [1.125]
RPL-4	98.4 [3.875]	30 [1.19]	25 [1.00]	--	92 [3.63]	66 [2.63]	--	33.3 [1.313]

Model	A	B	C	D	E	F	G	H
RPLC-3	83.4 [3.282]	15 [1.58]	19 [0.76]	18 [0.74]	83 [3.25]	63 [2.50]	12.7 [0.500]	31.8 [1.250]
RPLC-4	101.8 [4.007]	24 [0.94]	25 [1.00]	18 [0.74]	101 [4.00]	76 [3.00]	15.9 [0.625]	38.1 [1.50]

Dimensions in mm [in]

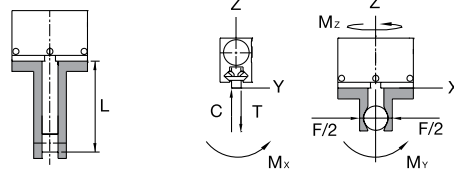
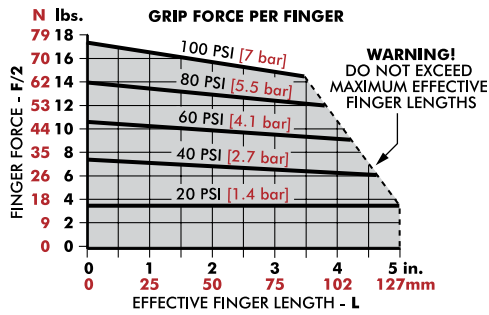
Seal Repair Kits	3, 4
Buna-N Seal Repair Kit	SLKT-012
Viton® Seal Repair Kit	SLKT-012V

Loading Information



RPL-3	Static	Dynamic
Maximum Tensile T	400 N [90 lbs]	133 N [30 lbs]
Maximum Compressive C	400 N [90 lbs]	133 N [30 lbs]
Maximum Moment M_x	6.8 Nm [60 in-lbs]	2.3 Nm [20 in-lbs]
Maximum Moment M_y	9.0 Nm [80 in-lbs]	2.8 Nm [25 in-lbs]
Maximum Moment M_x	6.8 Nm [60 in-lbs]	2.3 Nm [20 in-lbs]

Capacities are per set of jaws and are not simultaneous



RPL-4	Static	Dynamic
Maximum Tensile T	534 N [120 lbs]	178 N [40 lbs]
Maximum Compressive C	534 N [120 lbs]	178 N [40 lbs]
Maximum Moment M_x	8.5 Nm [75 in-lbs]	2.8 Nm [25 in-lbs]
Maximum Moment M_y	11.3 Nm [100 in-lbs]	4.0 Nm [35 in-lbs]
Maximum Moment M_x	8.5 Nm [75 in-lbs]	2.8 Nm [25 in-lbs]

Capacities are per set of jaws and are not simultaneous

Dimensions and technical information are subject to change without notice

GR-PRC-48

